



EXTRUDED ALUMINUM STATIONARY LOUVER 2" (51) DEEP • J BLADE • ARCHITECTURAL MODEL: 1602J (1602SB)

Model 1602J, incorporating J style blades, is an architecturally styled 2" (51) deep louver designed with smooth, clean lines that visually compliment any structure's exterior styling. It is ideal for use in thin wall applications or a/c units where a full depth louver cannot be used. Suitable for use in exhaust and low to medium velocity intake applications, the blade design features a rear water baffle and provides good protection against general weather conditions, with low pressure drop characteristics. Reinforcing bosses run the full length of each blade for superior strength. Available with channel or flanged type frame, the 1602J's thinline design is styled to appease and engineered to perform.

STANDARD CONSTRUCTION:

- FRAME:** 2" (51) deep, Type 6063-T5 extruded aluminum, .060" (1.5) nominal wall thickness. Integral caulking slot provided.
- BLADES:** Type 6063-T5 extruded aluminum, .060" (1.5) nominal wall thickness, with reinforcing bosses. J style.
- BLADE ANGLE:** Fixed at 30 degrees.
- BLADE SPACING:** Approximately 2" (51) on centers.
- BLADE SUPPORT BRACKETS:** Concealed type, factory installed on rear of louver on maximum 48" (1219) centers. Reinforced with 1" x 1" (25 x 25) angle (adds approx. 1" [25] to overall louver depth).
- MULLIONS:** Concealed architectural style allowing continuous line appearance.
- SCREEN:** 3/4" x .051 (19 x 1.3) expanded, flattened aluminum bird screen in removable frame, inside (rear) mount (adds approximately 3/8" [10] to louver depth).
- FINISH:** Mill.
- MINIMUM SIZE:** 8" W x 8" H (203 x 203).

MAXIMUM SINGLE SECTION SIZE: 120" W x 84" H (3048 x 2134) or 84" W x 120" H (2134 x 3048). 70 sq. ft. (6.5m²). Larger louvers will require field assembly of smaller sections.

OPTIONS:

- FL** Flanged Frame.
- BSSS** Type 304 S.S. Bird Screen.
- BSN** No Bird Screen.
- ISA** Aluminum Insect Screen.
- ISSS** Type 304 S.S. Insect Screen.
- WE** Welded Construction.
- ESI** Extended Sill.
- FR1** 1" (25) Filter Rack.
- FR2** 2" (51) Filter Rack.
- PAC** Perimeter Anchor Clips.
- Other:** _____.

OPTIONAL FINISHES:

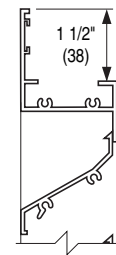
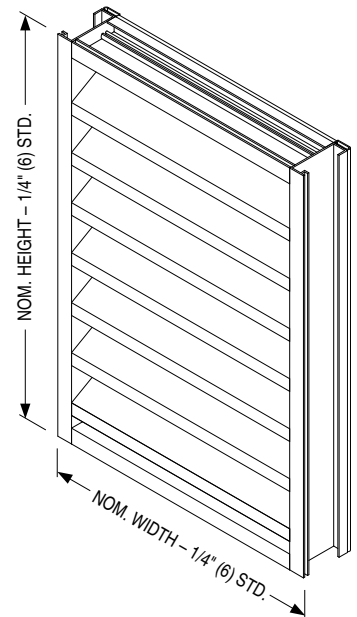
- PC3** Powder Coat AAMA 2603. Color: _____.
- PC4** High Performance Powder Coat AAMA 2604 (Equivalent to 50% Kynar®). Color: _____.
- PC5** Fluoropolymer Powder Coat AAMA 2605 (Equivalent to 70% Kynar®). Color: _____.
- PCC** Prime Coat.
- AN04** Clear Anodized 204-R1.
- AN15** Clear Anodized 215-R1.

Color Anodized:

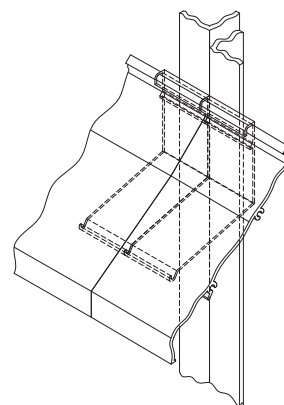
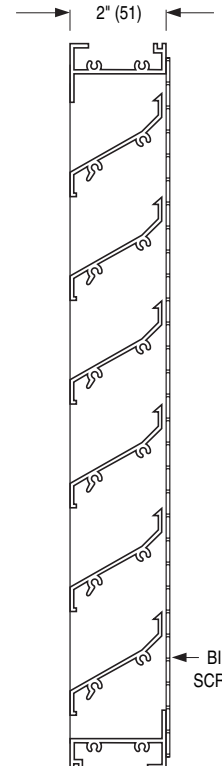
- ANLB** Light Bronze.
- ANMB** Medium Bronze.
- ANDB** Dark Bronze.
- ANBK** Black.

OPTIONAL W x H SIZING (1/4" [6.5] Undersize standard):

- U00** Exact Size.
- U38** Undersize 3/8" (9.5).
- U50** Undersize 1/2" (12.7).



FLANGED FRAME (FL)
(OPTIONAL)



ARCHITECTURAL STYLE
CONCEALED MULLION DETAIL

BIRD
SCREEN

SCHEDULE TYPE:		Page 1 of 2			
PROJECT:		Dimensions are in inches (mm).			
ENGINEER:	DATE	B SERIES	SUPERSEDES	DRAWING NO.	
CONTRACTOR:	12 - 1 - 10	1600	1602SB-1 9-22-03R	1602J	



EXTRUDED ALUMINUM STATIONARY LOUVER 2" (51) DEEP • K BLADE • ARCHITECTURAL MODEL: 1602K (1602SR)

Model 1602K, incorporating K style blades (formerly "storm resistant" or "stormproof") is a 2" (51) deep louver, which combines good weather protection and performance with aesthetics that compliment any architecture. It is ideal for use in thin wall applications or a/c units where a full depth louver cannot be used. Suitable for use in exhaust and low to medium velocity intake applications, the K blade design features a rear water baffle plus an additional rain hook, providing good protection against more forbidding weather conditions. Blades are reinforced with full length integral bosses for superior strength and the design exhibits excellent pressure drop characteristics through it's high free area. Model 1602K is available with channel or flanged type frame to suit most architectural and mechanical installation requirements.

STANDARD CONSTRUCTION:

- FRAME:** 2" (51) deep, Type 6063-T5 extruded aluminum, .060" (1.5) nominal wall thickness. Integral caulking slot provided.
- BLADES:** Type 6063-T5 extruded aluminum, .060" (1.5) nominal wall thickness, with reinforcing bosses. K style.
- BLADE ANGLE:** Fixed at 30 degrees.
- BLADE SPACING:** Approximately 2" (51) on centers.
- BLADE SUPPORT BRACKETS:** Concealed type, factory installed on rear of louver on maximum 48" (1219) centers. Reinforced with 1" x 1" (25 x 25) angle (adds approx. 1" [25] to overall louver depth).
- MULLIONS:** Concealed architectural style allowing continuous line appearance.
- SCREEN:** 3/4" x .051 (19 x 1.3) expanded, flattened aluminum bird screen in removable frame, inside (rear) mount (adds approximately 3/8" [10] to louver depth).
- FINISH:** Mill.
- MINIMUM SIZE:** 8" W x 8" H (203 x 203).
- MAXIMUM SINGLE SECTION SIZE:** 120" W x 84" H (3048 x 2134) or 84" W x 120" H (2134 x 3048). 70 sq. ft. (6.5m²). Larger louvers will require field assembly of smaller sections.

OPTIONS:

- FL** Flanged Frame.
- BSSS** Type 304 S.S. Bird Screen.
- BSN** No Bird Screen.
- ISA** Aluminum Insect Screen.
- ISSS** Type 304 S.S. Insect Screen.
- WE** Welded Construction.
- ESI** Extended Sill.
- FR1** 1" (25) Filter Rack.
- FR2** 2" (51) Filter Rack.
- PAC** Perimeter Anchor Clips.
- Other:** _____.

OPTIONAL FINISHES:

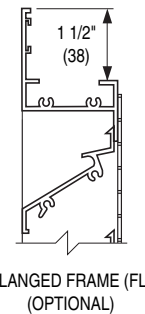
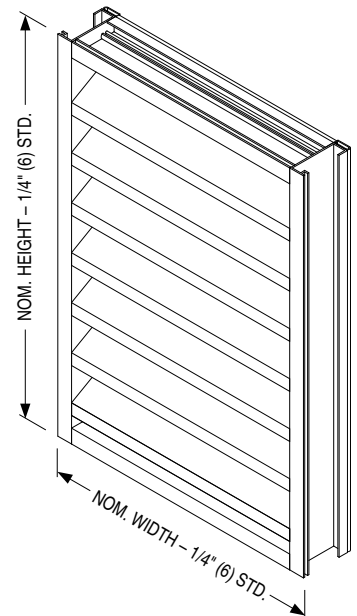
- PC3** Powder Coat AAMA 2603. Color: _____.
- PC4** High Performance Powder Coat AAMA 2604 (Equivalent to 50% Kynar®). Color: _____.
- PC5** Fluoropolymer Powder Coat AAMA 2605 (Equivalent to 70% Kynar®). Color: _____.
- PCC** Prime Coat.
- AN04** Clear Anodized 204-R1.
- AN15** Clear Anodized 215-R1.

Color Anodized:

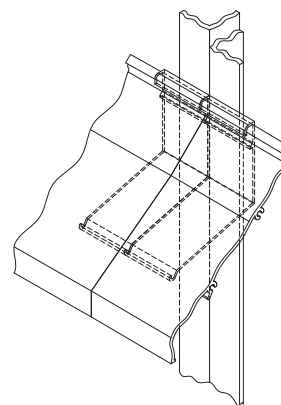
- ANLB** Light Bronze.
- ANMB** Medium Bronze.
- ANDB** Dark Bronze.
- ANBK** Black.

OPTIONAL W x H SIZING (1/4" [6.5] Undersize standard):

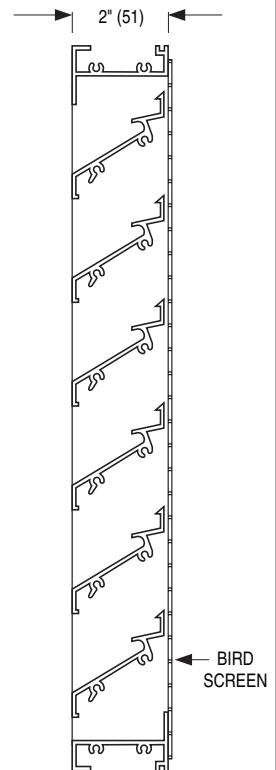
- U00** Exact Size.
- U38** Undersize 3/8" (9.5).
- U50** Undersize 1/2" (12.7).



FLANGED FRAME (FL)
(OPTIONAL)



ARCHITECTURAL STYLE
CONCEALED MULLION DETAIL



BIRD
SCREEN

SCHEDULE TYPE:

PROJECT:

ENGINEER:

CONTRACTOR:

Page 1 of 2
Dimensions are in inches (mm).

DATE	B SERIES	SUPERSEDES	DRAWING NO.
12 - 1 - 10	1600	1602SR-1 9-22-03R	1602K



**EXTRUDED ALUMINUM ADJUSTABLE LOUVER
4" (102) DEEP • DRAINABLE BLADE
MODEL: 1604AD**

Model 1604AD adjustable, drainable blade type louver combines superior weather protection and architecturally pleasing aesthetics with airflow control including tight shut-off. Suitable for use in exhaust and low to medium velocity intake applications, the design features a drainable blade with rain gutters that divert collected water down concealed side downspouts and out the sill. The blades can be operated manually or with an actuator to provide tight shut-off when desired. Blades are reinforced with full length integral bosses for superior strength and the design exhibits low pressure drop characteristics throughout the airflow range. Model 1604AD provides adjustable flexibility as well as maximum protection against the elements.

STANDARD CONSTRUCTION:

- FRAME:** 4" (102) deep, Type 6063-T5 extruded aluminum, .080" (2.03) nominal wall thickness. Integral downspouts and caulking slot provided.
- BLADES:** Type 6063-T5 extruded aluminum, .080" (2.03) nominal wall thickness, with reinforcing bosses.
- BLADE SPACING:** Approx. 4" (102) on centers, at 37 1/2° angle (fully open).
- JAMB SEALS:** Compression type cambered metal.
- AXLES:** 1/2" (13) dia. plated steel.
- BEARINGS:** 1/2" (13) dia. stainless steel sleeve type.
- LINKAGE:** Plated steel. Concealed in frame.
- SCREEN:** 3/4" x .051 (19 x 1.3) expanded, flattened aluminum bird screen in removable frame, inside (rear) mount (adds approximately 3/8" [10] to louver depth).
- ACTUATOR:** Hand locking louver quadrant.
- FINISH:** Mill.
- MINIMUM SIZE:** 12" W x 12" H (305 x 305).

MAX. SINGLE SECTION SIZE: 48" W x 96" H (1219 x 2438) (With Blade and/or Jamb Seals).
60" W x 96" H (1524 x 2438) (Without Seals). Larger sizes will be manufactured in sections with visible mullion side frame (downspouts are concealed) for field assembly.

OPTIONS:

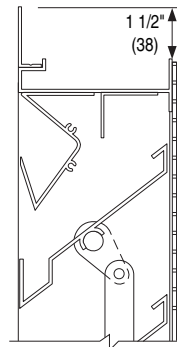
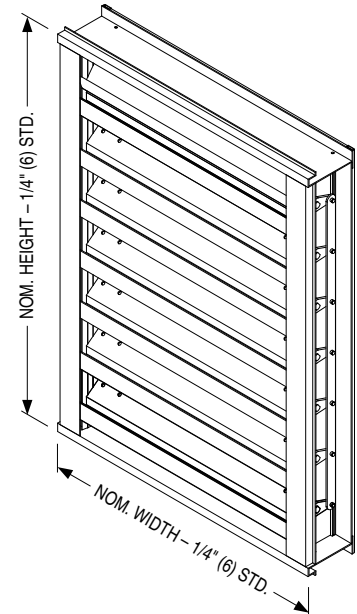
- FL** Flanged Frame.
- BPV** PVC Blade Seals.
- JSN** No Jamb Seals.
- BSSS** Type 304 S. S. Bird Screen.
- BSN** No Bird Screen.
- ISA** Aluminum Insect Screen.
- ISSS** Type 304 S. S. Insect Screen.
- WE** Welded Construction.
- ESI** Extended Sill.
- FR1** 1" (25) Filter Rack.
- FR2** 2" (51) Filter Rack.
- PAC** Perimeter Anchor Clips.
- ACT** Electric or Pneumatic Actuator.
- Other: _____

OPTIONAL FINISHES:

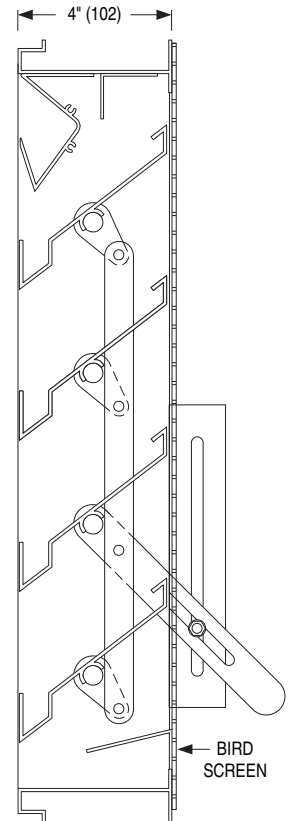
- PC3** Powder Coat AAMA 2603. Color: _____.
 - PC4** High Performance Powder Coat AAMA 2604 (Equivalent to 50% Kynar®). Color: _____.
 - PC5** Fluoropolymer Powder Coat AAMA 2605 (Equivalent to 70% Kynar®). Color: _____.
 - PCC** Prime Coat.
 - AN04** Clear Anodized 204-R1.
 - AN15** Clear Anodized 215-R1.
- Color Anodized:
- ANLB** Light Bronze. **ANMB** Medium Bronze.
 - ANDB** Dark Bronze. **ANBK** Black.

OPTIONAL W x H SIZING (1/4" [6.5] Undersize standard):

- U00** Exact Size.
- U38** Undersize 3/8" (9.5).
- U50** Undersize 1/2" (12.7).



FLANGED FRAME (FL)
(OPTIONAL)



BIRD SCREEN

SCHEDULE TYPE:

PROJECT:

ENGINEER:

CONTRACTOR:

Page 1 of 2
Dimensions are in inches (mm).

DATE	B SERIES	SUPERSEDES	DRAWING NO.
9 - 14 - 10	1600	NEW	1604AD



EXTRUDED ALUMINUM STATIONARY LOUVER 4" (102) DEEP • DRAINABLE BLADE MODEL: 1604D (1604SD)

Model 1604D, Drainable blade type louver, provides excellent weather protection in a 4" (102) deep frame, with good air performance and pleasing aesthetics that compliment any structure's exterior styling. Suitable for use in exhaust and low to medium velocity intake applications, the drainable blade design utilizes rain gutters that divert collected water down concealed side downspouts and out the sill. Blades are reinforced with full length integral bosses for superior strength and the design provides good air performance through it's 52% free area as well as maximum protection against the elements. Model 1604D is available with channel or flanged type frame to suit most architectural and mechanical installation requirements and is AMCA Licensed.

STANDARD CONSTRUCTION:

- FRAME:** 4" (102) deep, Type 6063-T5 extruded aluminum, .080" (2.03) nominal wall thickness. Integral downspouts and caulking slot provided.
- BLADES:** Type 6063-T5 extruded aluminum, .080" (2.03) nominal wall thickness, with reinforcing bosses.
- BLADE ANGLE:** Fixed at 37 degrees.
- BLADE SPACING:** Approx. 4" (102) on centers.
- BLADE SUPPORT BRACKETS:** Concealed type, factory installed on rear of louver on maximum 48" (1219) centers. Reinforced with 1" x 1" (25 x 25) angle (adds approx. 1" [25] to overall louver depth).
- MULLIONS:** Concealed type allowing continuous line appearance up to 120" (3048) wide. Larger assemblies require separate visible frames with downspouts.
- SCREEN:** 3/4" x .051 (19 x 1.3) expanded, flattened aluminum bird screen in removable frame, inside (rear) mount (adds approximately 3/8" [10] to louver depth).
- FINISH:** Mill.
- MINIMUM SIZE:** 12" W x 12" H (305 x 305).
- MAX. SINGLE SECTION SIZE:** 120" W x 84" H (3048 x 2134) or 84" W x 120" H (2134 x 3048). 70 sq. ft. (6.5m²). Larger louvers will require field assembly of smaller sections.

OPTIONS:

- | | |
|---|---|
| <input type="checkbox"/> FL Flanged Frame. | <input type="checkbox"/> ESI Extended Sill. |
| <input type="checkbox"/> BSSS Type 304 S.S. Bird Screen. | <input type="checkbox"/> FR1 1" (25) Filter Rack. |
| <input type="checkbox"/> BSN No Bird Screen. | <input type="checkbox"/> FR2 2" (51) Filter Rack. |
| <input type="checkbox"/> ISA Aluminum Insect Screen. | <input type="checkbox"/> PAC Perimeter Anchor Clips. |
| <input type="checkbox"/> ISSS Type 304 S.S. Insect Screen. | <input type="checkbox"/> Other: _____ . |
| <input type="checkbox"/> WE Welded Construction. | |

OPTIONAL FINISHES:

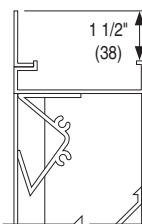
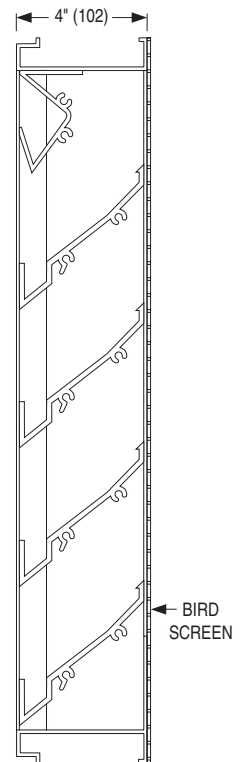
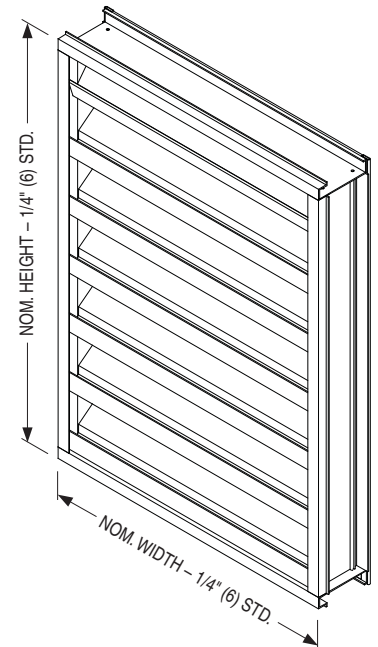
- PC3** Powder Coat AAMA 2603. Color: _____ .
- PC4** High Performance Powder Coat AAMA 2604 (Equivalent to 50% Kynar®). Color: _____ .
- PC5** Fluoropolymer Powder Coat AAMA 2605 (Equivalent to 70% Kynar®). Color: _____ .
- PCC** Prime Coat.
- AN04** Clear Anodized 204-R1.
- AN15** Clear Anodized 215-R1.

Color Anodized:

- | | |
|--|---|
| <input type="checkbox"/> ANLB Light Bronze. | <input type="checkbox"/> ANMB Medium Bronze. |
| <input type="checkbox"/> ANDB Dark Bronze. | <input type="checkbox"/> ANBK Black. |

OPTIONAL W x H SIZING (1/4" [6.5] Undersize standard):

- U00** Exact Size.
- U38** Undersize 3/8" (9.5).
- U50** Undersize 1/2" (12.7).



FLANGED FRAME (FL)
(OPTIONAL)

← BIRD SCREEN

SCHEDULE TYPE:
PROJECT:
ENGINEER:
CONTRACTOR:

Page 1 of 3
Dimensions are in inches (mm).

DATE	B SERIES	SUPERSEDES	DRAWING NO.
12 - 1 - 10	1600	1604SD-1 4-21-08	1604D



EXTRUDED ALUMINUM STATIONARY LOUVER 4" (102) DEEP • DUAL DRAINABLE BLADE MODEL: 1604DD

Model 1604DD, dual drainable blade type louver, provides maximum weather protection in a 4" (102) deep frame, with good air performance and pleasing aesthetics that compliment any structure's exterior styling. Standard construction features a drainable head that collects the water running down the building face and channels it out the concealed downspouts in the side frame, preventing it from flowing down into the airstream. Suitable for use in exhaust and low to medium velocity intake applications, the dual drainable blade design utilizes double rain gutters that divert collected water down concealed side downspouts and out the sill. Blades are reinforced with full length integral bosses for superior strength and the design provides good air performance through it's 51% free area as well as maximum protection against the elements. Model 1604DD is available with channel or flanged type frame to suit most architectural and mechanical installation requirements and is AMCA Licensed.

STANDARD CONSTRUCTION:

- FRAME:** 4" (102) deep, Type 6063-T5 extruded aluminum, .080" (2.03) nominal wall thickness. Integral downspouts and caulking slot provided.
- BLADES:** Type 6063-T5 extruded aluminum, .080" (2.03) nominal wall thickness, with reinforcing bosses.
- BLADE ANGLE:** Fixed at 37 degrees.
- BLADE SPACING:** Approx. 4" (102) on centers.
- BLADE SUPPORT BRACKETS:** Concealed type, factory installed on rear of louver on maximum 48" (1219) centers. Reinforced with 1" x 1" (25 x 25) angle (adds approx. 1" [25] to overall louver depth).
- MULLIONS:** Concealed type allowing continuous line appearance up to 120" (3048) wide. Larger assemblies require separate visible frames with downspouts.
- SCREEN:** 3/4" x .051 (19 x 1.3) expanded, flattened aluminum bird screen in removable frame, inside (rear) mount (adds approximately 3/8" [10] to louver depth).
- FINISH:** Mill.
- MINIMUM SIZE:** 12" W x 12" H (305 x 305).
- MAX. SINGLE SECTION SIZE:** 120" W x 84" H (3048 x 2134) or 84" W x 120" H (2134 x 3048). 70 sq. ft. (6.5m²). Larger louvers will require field assembly of smaller sections.

OPTIONS:

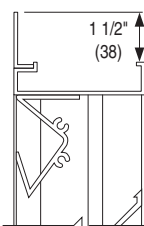
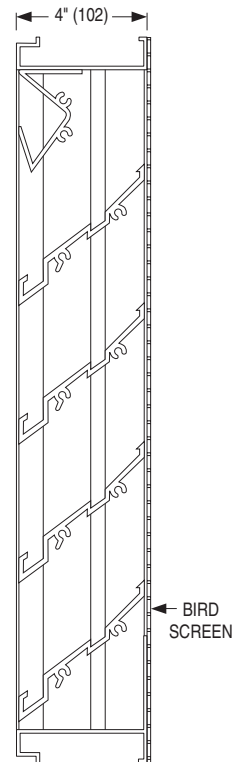
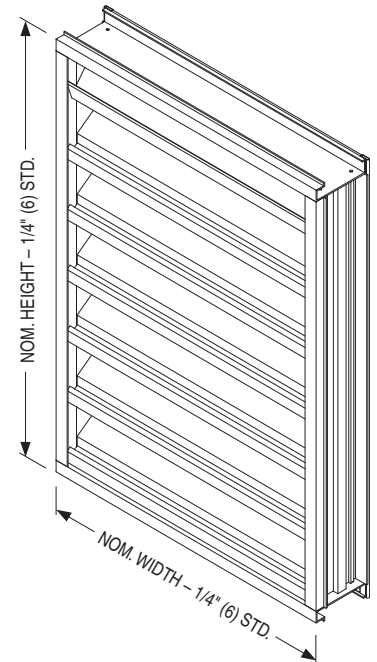
- FL** Flanged Frame.
- BSSS** Type 304 S.S. Bird Screen.
- BSN** No Bird Screen.
- ISA** Aluminum Insect Screen.
- ISSS** Type 304 S.S. Insect Screen.
- WE** Welded Construction.
- ESI** Extended Sill.
- FR1** 1" (25) Filter Rack.
- FR2** 2" (51) Filter Rack.
- PAC** Perimeter Anchor Clips.
- Other:** _____

OPTIONAL FINISHES:

- PC3** Powder Coat AAMA 2603. Color: _____
 - PC4** High Performance Powder Coat AAMA 2604 (Equiv. to 50% Kynar®). Color: _____
 - PC5** Fluoropolymer Powder Coat AAMA 2605 (Equiv. to 70% Kynar®). Color: _____
 - PCC** Prime Coat.
 - AN04** Clear Anodized 204-R1.
 - AN15** Clear Anodized 215-R1.
- Color Anodized:
- ANLB** Light Bronze. **ANMB** Medium Bronze.
 - ANDB** Dark Bronze. **ANBK** Black.

OPTIONAL W x H SIZING (1/4" [6.5] Undersize standard):

- U00** Exact Size.
- U38** Undersize 3/8" (9.5).
- U50** Undersize 1/2" (12.7).



FLANGED FRAME (FL)
(OPTIONAL)

← BIRD SCREEN

SCHEDULE TYPE:
PROJECT:
ENGINEER:
CONTRACTOR:

Page 1 of 3
Dimensions are in inches (mm).

DATE	B SERIES	SUPERSEDES	DRAWING NO.
12 - 1 - 10	1600	9 - 22 - 03R	1604DD



EXTRUDED ALUMINUM STATIONARY LOUVER
4" (102) DEEP • J BLADE • ARCHITECTURAL
MODEL: 1604J

Model 1604J, J style blade type, is an architecturally styled 4" (102) deep louver designed with smooth, clean lines that visually compliment any structure's exterior styling. Available in channel or flanged type, the 4" (102) deep frame installs easily in most common wall configurations. Suitable for use in exhaust and low to medium velocity intake applications, the blade design features a rear water baffle and provides good protection against general weather conditions, with low pressure drop characteristics and a high free area. Reinforcing bosses run the full length of each blade for superior strength.

STANDARD CONSTRUCTION:

- FRAME:** 4" (102) deep, Type 6063-T5 extruded aluminum, .080" (2.03) nominal wall thickness. Integral caulking slot provided.
- BLADES:** Type 6063-T5 extruded aluminum, .080" (2.03) nominal wall thickness, with reinforcing bosses. J style.
- BLADE ANGLE:** Fixed at 37 degrees.
- BLADE SPACING:** Approx. 4" (102) on centers.
- BLADE SUPPORT BRACKETS:** Concealed type, factory installed on rear of louver on maximum 48" (1219) centers. Reinforced with 1" x 1" (25 x 25) angle (adds approx. 1" [25] to overall louver depth).
- MULLIONS:** Concealed architectural style allowing continuous line appearance.
- SCREEN:** 3/4" x .051 (19 x 1.3) expanded, flattened aluminum bird screen in removable frame, inside (rear) mount (adds approximately 3/8" [10] to louver depth).
- FINISH:** Mill.
- MINIMUM SIZE:** 12" W x 12" H (305 x 305).
- MAXIMUM SINGLE SECTION SIZE:** 120" W x 84" H (3048 x 2134) or 84" W x 120" H (2134 x 3048). 70 sq. ft. (6.5m²). Larger louvers will require field assembly of smaller sections.

OPTIONS:

- FL** Flanged Frame.
- BSSS** Type 304 S.S. Bird Screen.
- BSN** No Bird Screen.
- ISA** Aluminum Insect Screen.
- ISSS** Type 304 S.S. Insect Screen.
- WE** Welded Construction.
- ESI** Extended Sill.
- FR1** 1" (25) Filter Rack.
- FR2** 2" (51) Filter Rack.
- PAC** Perimeter Anchor Clips.
- Other:** _____.

OPTIONAL FINISHES:

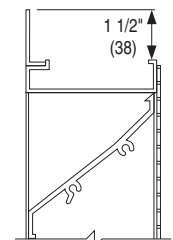
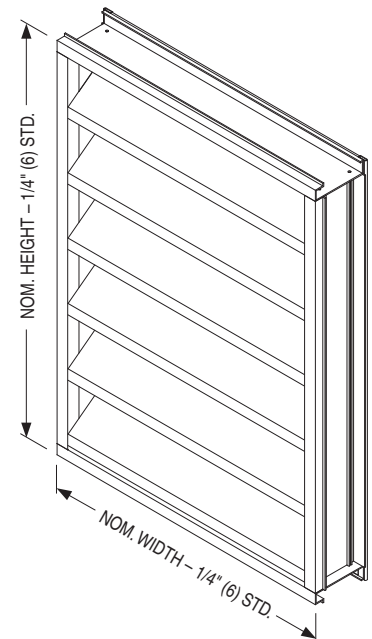
- PC3** Powder Coat AAMA 2603. Color: _____.
- PC4** High Performance Powder Coat AAMA 2604 (Equivalent to 50% Kynar®). Color: _____.
- PC5** Fluoropolymer Powder Coat AAMA 2605 (Equivalent to 70% Kynar®). Color: _____.
- PCC** Prime Coat.
- AN04** Clear Anodized 204-R1.
- AN15** Clear Anodized 215-R1.

Color Anodized:

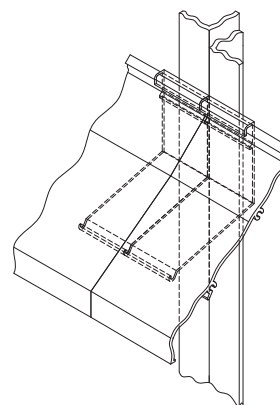
- ANLB** Light Bronze.
- ANMB** Medium Bronze.
- ANDB** Dark Bronze.
- ANBK** Black.

OPTIONAL W x H SIZING (1/4" [6.5] Undersize standard):

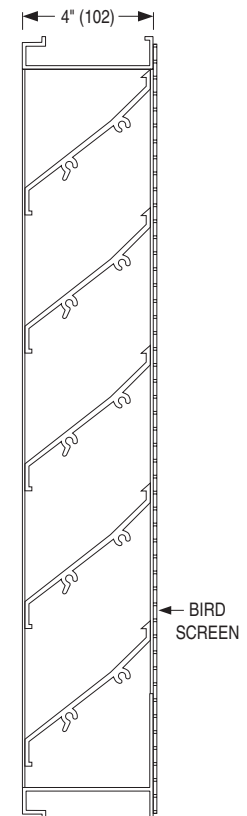
- U00** Exact Size.
- U38** Undersize 3/8" (9.5).
- U50** Undersize 1/2" (12.7).



FLANGED FRAME (FL)
(OPTIONAL)



ARCHITECTURAL STYLE
CONCEALED MULLION DETAIL



BIRD
SCREEN

SCHEDULE TYPE:
PROJECT:
ENGINEER:
CONTRACTOR:

Page 1 of 2
Dimensions are in inches (mm).

DATE	B SERIES	SUPERSEDES	DRAWING NO.
12 - 1 - 10	1600	NEW	1604J



EXTRUDED ALUMINUM STATIONARY LOUVER
4" (102) DEEP • J BLADE • DRAINABLE HEAD
MODEL: 1604JD (1604SB)

Model 1604JD, incorporating J style blades, is an architecturally styled 4" (102) deep louver designed with smooth, clean lines that visually compliment any structure's exterior styling. Available in channel or flanged type, the 4" (102) deep frame installs easily in most common wall configurations. The drainable head feature utilizes a top gutter that collects the water running down the building face and channels it out the concealed downspouts in the side frame, thus preventing it from flowing down into the airstream. Suitable for use in exhaust and low to medium velocity intake applications, the blade design features a rear water baffle and provides good protection against general weather conditions, with low pressure drop characteristics and a high free area. Reinforcing bosses run the full length of each blade for superior strength. Model 1604JD is AMCA Licensed and is engineered to be architecturally appealing as well as mechanically enduring.

STANDARD CONSTRUCTION:

- FRAME:** 4" (102) deep, Type 6063-T5 extruded aluminum, .080" (2.03) nominal wall thickness. Integral caulking slot provided.
- BLADES:** Type 6063-T5 extruded aluminum, .080" (2.03) nominal wall thickness, with reinforcing bosses. J style.
- BLADE ANGLE:** Fixed at 37 degrees.
- BLADE SPACING:** Approx. 4" (102) on centers.
- BLADE SUPPORT BRACKETS:** Concealed type, factory installed on rear of louver on maximum 48" (1219) centers. Reinforced with 1" x 1" (25 x 25) angle (adds approx. 1" [25] to overall louver depth).
- MULLIONS:** Concealed type allowing continuous line appearance up to 120" (3048) wide. Larger assemblies require separate visible frames with downspouts.
- SCREEN:** 3/4" x .051 (19 x 1.3) expanded, flattened aluminum bird screen in removable frame, inside (rear) mount (adds approximately 3/8" [10] to louver depth).
- FINISH:** Mill.
- MINIMUM SIZE:** 12" W x 12" H (305 x 305).
- MAX. SINGLE SECTION SIZE:** 120" W x 84" H (3048 x 2134) or 84" W x 120" H (2134 x 3048). 70 sq. ft. (6.5m²). Larger louvers will require field assembly of smaller sections.

OPTIONS:

- FL** Flanged Frame.
- ES1** Extended Sill.
- BSSS** Type 304 S.S. Bird Screen.
- FR1** 1" (25) Filter Rack.
- BSN** No Bird Screen.
- FR2** 2" (51) Filter Rack.
- ISA** Aluminum Insect Screen.
- PAC** Perimeter Anchor Clips.
- ISSS** Type 304 S.S. Insect Screen.
- Other:** _____
- WE** Welded Construction.

OPTIONAL FINISHES:

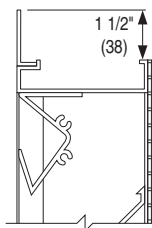
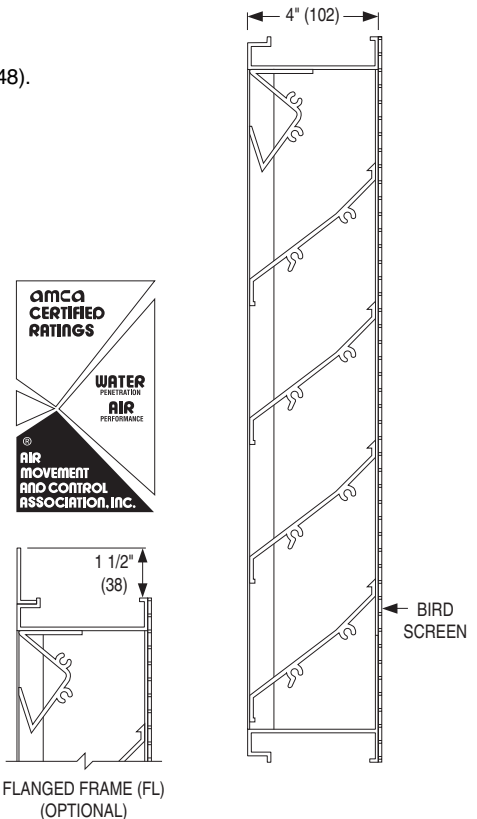
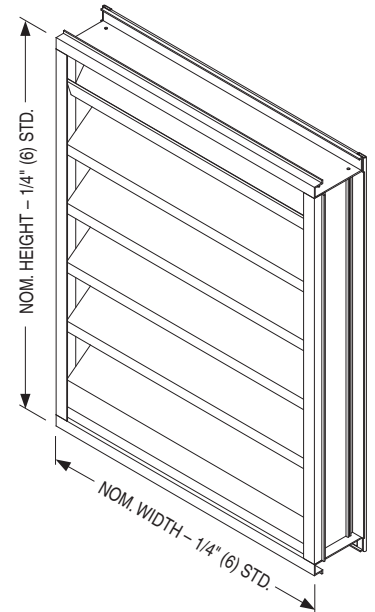
- PC3** Powder Coat AAMA 2603. Color: _____
- PC4** High Performance Powder Coat AAMA 2604 (Equivalent to 50% Kynar®). Color: _____
- PC5** Fluoropolymer Powder Coat AAMA 2605 (Equivalent to 70% Kynar®). Color: _____
- PCC** Prime Coat.
- AN04** Clear Anodized 204-R1.
- AN15** Clear Anodized 215-R1.

Color Anodized:

- ANLB** Light Bronze.
- ANMB** Medium Bronze.
- ANDB** Dark Bronze.
- ANBK** Black.

OPTIONAL W x H SIZING (1/4" [6.5] Undersize standard):

- U00** Exact Size.
- U38** Undersize 3/8" (9.5).
- U50** Undersize 1/2" (12.7).



FLANGED FRAME (FL)
(OPTIONAL)

SCHEDULE TYPE:
PROJECT:
ENGINEER:
CONTRACTOR:

Page 1 of 3
 Dimensions are in inches (mm).

DATE	B SERIES	SUPERSEDES	DRAWING NO.
12 - 1 - 10	1600	1604SB-1 9-22-03R	1604JD



EXTRUDED ALUMINUM STATIONARY LOUVER 4" (102) DEEP • K BLADE • DRAINABLE HEAD MODEL: 1604KD (1604SR)

Model 1604KD, 4" (102) deep louver, combines good weather protection and performance with aesthetics that compliment any architecture. The design features a drainable head that collects the water running down the building face and channels it out the concealed downspouts in the side frame, thus preventing it from flowing down into the airstream. Suitable for use in exhaust and low to medium velocity intake applications, the K blade design features a rear water baffle plus an additional center rain hook, providing good protection against more forbidding weather conditions. Blades are reinforced with full length integral bosses for superior strength and the profile exhibits low pressure drop characteristics throughout the airflow range. Model 1604KD is available with channel or flanged type frame to suit most architectural and mechanical installation requirements and is AMCA Licensed.

STANDARD CONSTRUCTION:

- FRAME:** 4" (102) deep, Type 6063-T5 extruded aluminum, .080" (2.03) nominal wall thickness. Integral caulking slot provided.
- BLADES:** Type 6063-T5 extruded aluminum, .080" (2.03) nominal wall thickness, with reinforcing bosses. K style.
- BLADE ANGLE:** Fixed at 37 degrees.
- BLADE SPACING:** Approx. 4" (102) on centers.
- BLADE SUPPORT BRACKETS:** Concealed type, factory installed on rear of louver on maximum 48" (1219) centers. Reinforced with 1" x 1" (25 x 25) angle (adds approx. 1" [25] to overall louver depth).
- MULLIONS:** Concealed type allowing continuous line appearance up to 120" (3048) wide. Larger assemblies require separate visible frames with downspouts.
- SCREEN:** 3/4" x .051 (19 x 1.3) expanded, flattened aluminum bird screen in removable frame, inside (rear) mount (adds approximately 3/8" [10] to louver depth).
- FINISH:** Mill.
- MINIMUM SIZE:** 12" W x 12" H (305 x 305).
- MAX. SINGLE SECTION SIZE:** 120" W x 84" H (3048 x 2134) or 84" W x 120" H (2134 x 3048). 70 sq. ft. (6.5m²). Larger louvers will require field assembly of smaller sections.

OPTIONS:

- | | |
|---|---|
| <input type="checkbox"/> FL Flanged Frame. | <input type="checkbox"/> ESI Extended Sill. |
| <input type="checkbox"/> BSSS Type 304 S.S. Bird Screen. | <input type="checkbox"/> FR1 1" (25) Filter Rack. |
| <input type="checkbox"/> BSN No Bird Screen. | <input type="checkbox"/> FR2 2" (51) Filter Rack. |
| <input type="checkbox"/> ISA Aluminum Insect Screen. | <input type="checkbox"/> PAC Perimeter Anchor Clips. |
| <input type="checkbox"/> ISSS Type 304 S.S. Insect Screen. | <input type="checkbox"/> Other: _____ . |
| <input type="checkbox"/> WE Welded Construction. | |

OPTIONAL FINISHES:

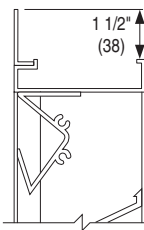
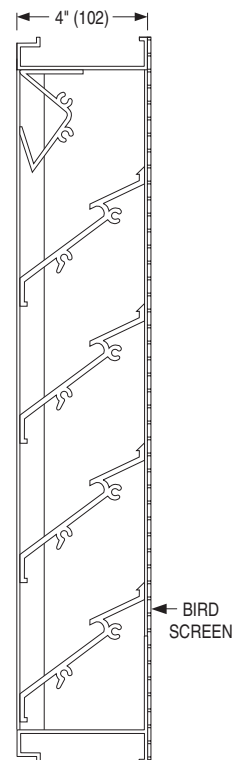
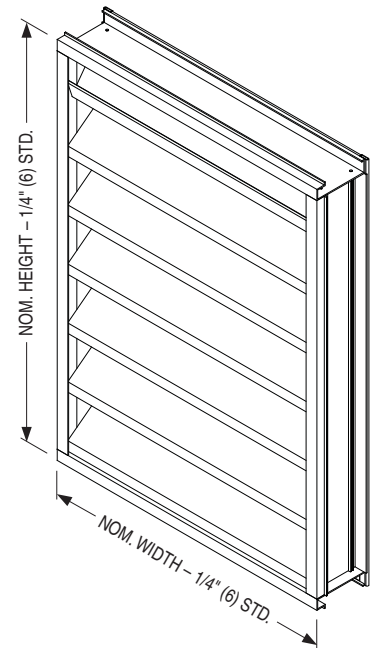
- PC3** Powder Coat AAMA 2603. Color: _____ .
- PC4** High Performance Powder Coat AAMA 2604 (Equivalent to 50% Kynar®). Color: _____ .
- PC5** Fluoropolymer Powder Coat AAMA 2605 (Equivalent to 70% Kynar®). Color: _____ .
- PCC** Prime Coat.
- AN04** Clear Anodized 204-R1.
- AN15** Clear Anodized 215-R1.

Color Anodized:

- | | |
|--|---|
| <input type="checkbox"/> ANLB Light Bronze. | <input type="checkbox"/> ANMB Medium Bronze. |
| <input type="checkbox"/> ANDB Dark Bronze. | <input type="checkbox"/> ANBK Black. |

OPTIONAL W x H SIZING (1/4" [6.5] Undersize standard):

- U00** Exact Size.
- U38** Undersize 3/8" (9.5).
- U50** Undersize 1/2" (12.7).



FLANGED FRAME (FL)
(OPTIONAL)

SCHEDULE TYPE:
PROJECT:
ENGINEER:
CONTRACTOR:

Page 1 of 3
Dimensions are in inches (mm).

DATE	B SERIES	SUPERSEDES	DRAWING NO.
12 - 1 - 10	1600	1604SR-1 9-22-03R	1604KD



**EXTRUDED ALUMINUM STATIONARY LOUVER
WIND-DRIVEN RAIN RESISTANT
5" (127) DEEP • HORIZONTAL BLADE
MODEL: 1605WD (1605DD)**

Model 1605WD wind-driven rain horizontal drainable blade louver provides maximum weather protection in a 5" (127) deep frame, with pleasing sight-proof aesthetics that compliment any structure's exterior styling. Suitable for use in exhaust and low to medium velocity intake applications, the drainable blade design utilizes double rain gutters that divert collected water down concealed side downspouts and out the sill. Blades are reinforced with full length integral bosses for superior strength and the 5" (127) deep channel type frame installs easily in most common wall configurations. Model 1605WD is AMCA Licensed for wind-driven rain and is engineered to be architecturally appealing as well as mechanically enduring.

STANDARD CONSTRUCTION:

- FRAME:** 5" (102) deep, Type 6063-T5 extruded aluminum, .080" (2.03) nominal wall thickness. Integral downspouts and caulking slot provided.
- BLADES:** Type 6063-T5 extruded aluminum, .080" (2.03) nominal wall thickness, with reinforcing bosses.
- BLADE ANGLE:** Fixed at 30 degrees.
- BLADE SPACING:** Approx. 2" (51) on centers.
- BLADE SUPPORT BRACKETS:** Concealed type, factory installed on rear of louver on maximum 48" (1219) centers. Reinforced with 1" x 1" (25 x 25) angle (adds approx. 1" [25] to overall louver depth).
- MULLIONS:** Concealed type allowing continuous line appearance up to 120" (3048) wide. Larger assemblies require separate visible frames with downspouts.
- SCREEN:** 3/4" x .051 (19 x 1.3) expanded, flattened aluminum bird screen in removable frame, inside (rear) mount (adds approximately 3/8" [10] to louver depth).
- FINISH:** Mill.
- MINIMUM SIZE:** 12" W x 12" H (305 x 305).
- MAX. SINGLE SECTION SIZE:** 120" W x 84" H (3048 x 2134) or 84" W x 120" H (2134 x 3048). 70 sq. ft. (6.5m²). Larger louvers will require field assembly of smaller sections.

OPTIONS:

- BSSS** Type 304 S.S. Bird Screen.
- BSN** No Bird Screen.
- ISA** Aluminum Insect Screen.
- ISSS** Type 304 S.S. Insect Screen.
- WE** Welded Construction.
- ESI** Extended Sill.
- FR1** 1" (25) Filter Rack.
- FR2** 2" (51) Filter Rack.
- PAC** Perimeter Anchor Clips.
- Other:** _____.

OPTIONAL FINISHES:

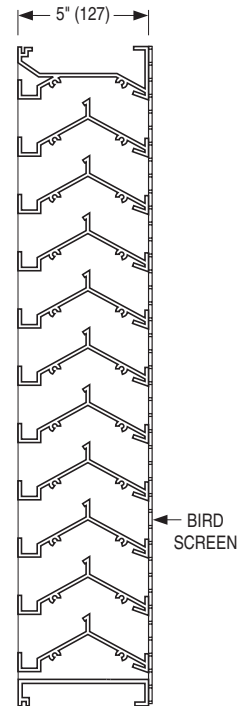
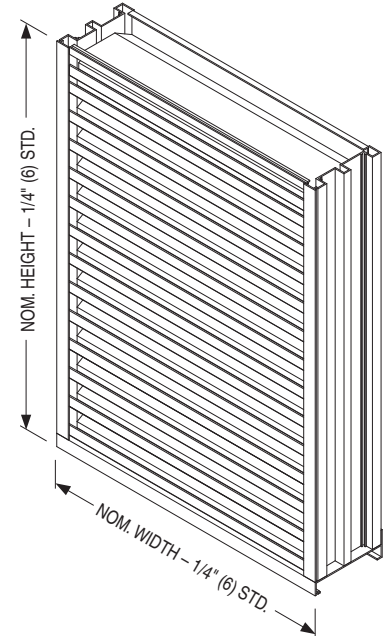
- PC3** Powder Coat AAMA 2603. Color: _____.
- PC4** High Performance Powder Coat AAMA 2604 (Equivalent to 50% Kynar®). Color: _____.
- PC5** Fluoropolymer Powder Coat AAMA 2605 (Equivalent to 70% Kynar®). Color: _____.
- PCC** Prime Coat.
- AN04** Clear Anodized 204-R1.
- AN15** Clear Anodized 215-R1.

Color Anodized:

- ANLB** Light Bronze.
- ANDB** Dark Bronze.
- ANMB** Medium Bronze.
- ANBK** Black.

OPTIONAL W x H SIZING (1/4" [6.5] Undersize standard):

- U00** Exact Size.
- U38** Undersize 3/8" (9.5).
- U50** Undersize 1/2" (12.7).



SCHEDULE TYPE:
PROJECT:
ENGINEER:
CONTRACTOR:

Page 1 of 3
Dimensions are in inches (mm).

DATE	B SERIES	SUPERSEDES	DRAWING NO.
12 - 1 - 10	1600	1605DD-1 4 - 28 - 08	1605WD



**EXTRUDED ALUMINUM ADJUSTABLE LOUVER
6" (152) DEEP • DRAINABLE BLADE
MODEL: 1606AD**

Model 1606AD adjustable, drainable blade type louver combines superior weather protection and architecturally pleasing aesthetics with airflow control including tight shut-off. Suitable for use in exhaust and low to medium velocity intake applications, the design features a drainable blade with rain gutters that divert collected water down concealed side downspouts and out the sill. The blades can be operated manually or with an actuator to provide tight shut-off when desired. Blades are reinforced with full length integral bosses for superior strength and the design exhibits low pressure drop characteristics throughout the airflow range. Model 1606AD provides adjustable flexibility as well as maximum protection against the elements.

STANDARD CONSTRUCTION:

- FRAME:** 6" (152) deep, Type 6063-T5 extruded aluminum, .080" (2.03) nominal wall thickness. Integral downspouts and caulking slot provided.
- BLADES:** Type 6063-T5 extruded aluminum, .080" (2.03) nominal wall thickness, with reinforcing bosses.
- BLADE SPACING:** Approx. 6" (152) on centers, at 37 1/2° angle (fully open).
- JAMB SEALS:** Compression type cambered metal.
- AXLES:** 1/2" (13) dia. plated steel.
- BEARINGS:** 1/2" (13) dia. stainless steel sleeve type.
- LINKAGE:** Plated steel. Concealed in frame.
- SCREEN:** 3/4" x .051 (19 x 1.3) expanded, flattened aluminum bird screen in removable frame, inside (rear) mount (adds approximately 3/8" [10] to louver depth).
- ACTUATOR:** Hand locking louver quadrant.
- FINISH:** Mill.
- MINIMUM SIZE:** 12" W x 12" H (305 x 305).
- MAX. SINGLE SECTION SIZE:** 48" W x 96" H (1219 x 2438) (With Blade and/or Jamb Seals).
60" W x 96" H (1524 x 2438) (Without Seals). Larger sizes will be manufactured in sections with visible mullion side frame (downspouts are concealed) for field assembly.

OPTIONS:

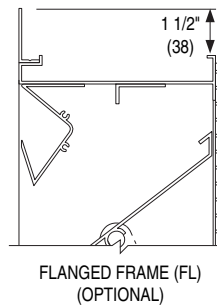
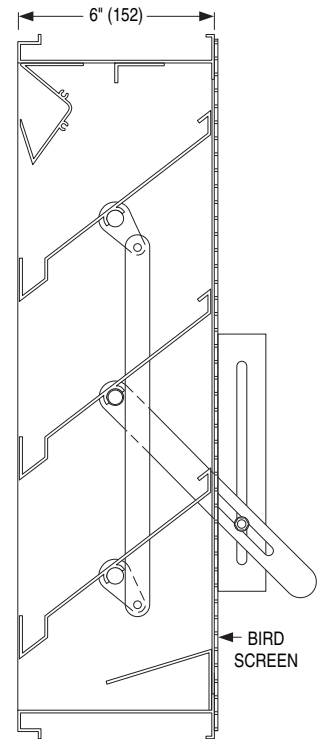
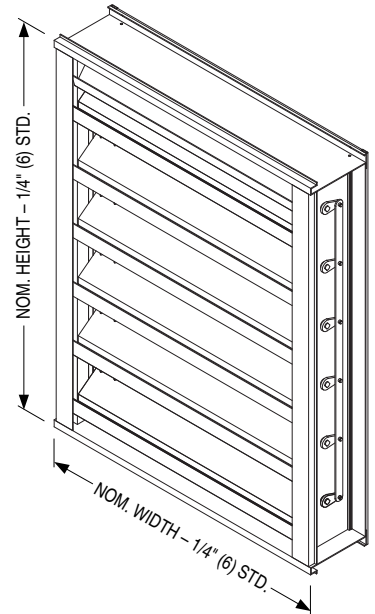
- FL** Flanged Frame.
- BPV** PVC Blade Seals.
- JSN** No Jamb Seals.
- BSSS** Type 304 S.S. Bird Screen.
- BSN** No Bird Screen.
- ISA** Aluminum Insect Screen.
- ISSS** Type 304 S.S. Insect Screen.
- WE** Welded Construction.
- ESI** Extended Sill.
- FR1** 1" (25) Filter Rack.
- FR2** 2" (51) Filter Rack.
- PAC** Perimeter Anchor Clips.
- ACT** Electric or Pneumatic Actuator. Specify: _____.
- Other:** _____.

OPTIONAL FINISHES:

- PC3** Powder Coat AAMA 2603. Color: _____.
 - PC4** High Performance Powder Coat AAMA 2604 (Equivalent to 50% Kynar®). Color: _____.
 - PC5** Fluoropolymer Powder Coat AAMA 2605 (Equivalent to 70% Kynar®). Color: _____.
 - PCC** Prime Coat.
 - AN04** Clear Anodized 204-R1.
 - AN15** Clear Anodized 215-R1.
- Color Anodized:
- ANLB** Light Bronze. **ANMB** Medium Bronze.
 - ANDB** Dark Bronze. **ANBK** Black.

OPTIONAL W x H SIZING (1/4" [6.5] Undersize standard):

- U00** Exact Size.
- U38** Undersize 3/8" (9.5).
- U50** Undersize 1/2" (12.7).



SCHEDULE TYPE:
PROJECT:
ENGINEER:
CONTRACTOR:

Page 1 of 2
Dimensions are in inches (mm).

DATE	B SERIES	SUPERSEDES	DRAWING NO.
9 - 14 - 10	1600	NEW	1606AD



EXTRUDED ALUMINUM COMBINATION LOUVER/DAMPER
6" (152) DEEP • DRAINABLE BLADE
OPERABLE AIRFOIL DAMPER
MODEL: 1606CDAF

Nailor Model 1606CDAF is an extruded aluminum combination louver and damper that incorporates front stationary drainable blades and rear adjustable airfoil blades all within a single frame. The design provides efficient air performance and aesthetics that compliment any building exterior, while providing tight shut-off when no airflow is required. The drainable blades provide excellent weather protection for exhaust and low to medium velocity intake air applications by utilizing rain gutters to divert collected water down concealed side downspouts and out the sill. Blades are reinforced with full length integral bosses for strength. Model 1606CDAF is available with channel or flanged type frame to suit most installation requirements, and is licensed by AMCA for assured performance.

STANDARD CONSTRUCTION:

- FRAME:** 6" (152) deep type 6063-T5 extruded aluminum, .125" (3.18) nominal wall thickness. Integral downspouts and caulking slot provided.
- BLADES:** Front stationary blades: drainable style, type 6063-T5 extruded aluminum, .080" (2.03) nominal wall thickness. Rear operable blades: Airfoil style, type 6063-T5 extruded aluminum.
- BLADE ANGLE:** Front blades fixed at 45 degrees.
- BLADE SPACING:** Approx. 5 1/2" (140) on centers.
- BLADE SEALS:** Silicone. Mechanically locked in place.
- JAMB SEALS:** Cambered stainless steel.
- BEARINGS:** 1/2" (13) dia. Oilite® self-lubricating bronze.
- AXLES:** 1/2" (13) dia. plated steel double bolted to blades.
- LINKAGE:** Concealed in frame.
- SCREEN:** 3/4" x .051 (19 x 1.3) expanded, flattened aluminum bird screen in removable frame, inside (rear) mount (adds approximately 3/8" [10] to louver depth).
- ACTUATOR:** Hand locking louver quadrant.
- FINISH:** Mill.
- MINIMUM SIZE:** 12" W x 16" H (305 x 406).
- MAX. SINGLE SECTION SIZE:** 60" W x 96" H (1524 x 2438). Larger sizes will be manufactured in sections with visible mullion side frame (downspouts are concealed) for field assembly.

OPTIONS:

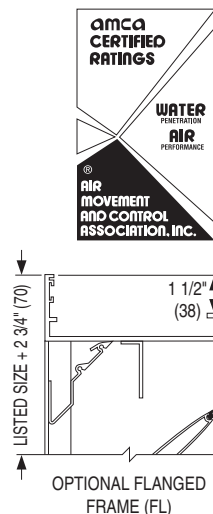
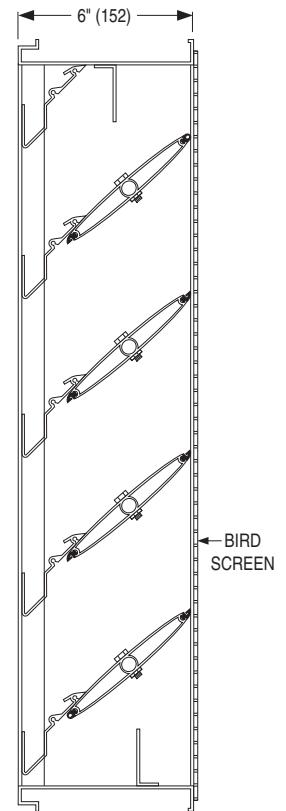
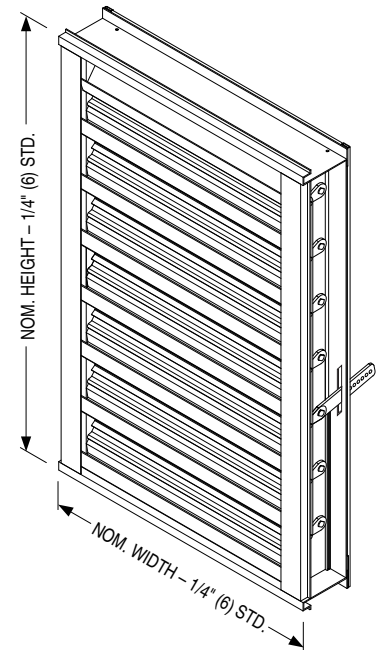
- FL** Flanged Frame.
- FR1** 1" (25) Filter Rack.
- BSSS** Type 304 S.S. Bird Screen.
- FR2** 2" (51) Filter Rack.
- BSN** No Bird Screen.
- PAC** Perimeter Anchor Clips.
- ISA** Aluminum Insect Screen.
- ACT** Electric or Pneumatic Actuator.
- ISSS** Type 304 S.S. Insect Screen. Specify: _____.
- WE** Welded Construction.
- Other:** _____.
- ESI** Extended Sill.

OPTIONAL FINISHES:

- PC3** Powder Coat AAMA 2603. Color: _____.
 - PC4** High Performance Powder Coat AAMA 2604 (Equivalent to 50% Kynar®). Color: _____.
 - PC5** Fluoropolymer Powder Coat AAMA 2605 (Equivalent to 70% Kynar®). Color: _____.
 - PCC** Prime Coat.
 - AN04** Clear Anodized 204-R1.
 - AN15** Clear Anodized 215-R1.
- Color Anodized:
- ANLB** Light Bronze. **ANMB** Medium Bronze.
 - ANDB** Dark Bronze. **ANBK** Black.

OPTIONAL W x H SIZING (1/4" [6.5] Undersize standard):

- U00** Exact Size. **U38** Undersize 3/8" (9.5).
- U50** Undersize 1/2" (12.7).



SCHEDULE TYPE:
PROJECT:
ENGINEER:
CONTRACTOR:

Page 1 of 2
 Dimensions are in inches (mm).

DATE	B SERIES	SUPERSEDES	DRAWING NO.
12 - 1 - 10	1600	5 - 29 - 09	1606CDAF



**EXTRUDED ALUMINUM STATIONARY LOUVER
6" (152) DEEP • DRAINABLE BLADE
MODEL: 1606D (1606SD)**

Model 1606D is a drainable blade type louver that provides excellent weather protection, good air performance and aesthetics that compliment any building design. Suitable for use in exhaust and low to medium velocity intake applications, the drainable blade design utilizes rain gutters that divert collected water down concealed side downspouts and out the sill. Blades are reinforced with full length integral bosses for superior strength and the design, with a free area of 52%, exhibits low pressure drop characteristics throughout the full airflow range. Model 1606D is available with channel or flanged type frame to suit most architectural and mechanical installation requirements.

STANDARD CONSTRUCTION:

- FRAME:** 6" (152) deep, Type 6063-T5 extruded aluminum, .080" (2.03) nominal wall thickness. Integral downspouts and caulking slot provided.
- BLADES:** Type 6063-T5 extruded aluminum, .080" (2.03) nominal wall thickness, with reinforcing bosses.
- BLADE ANGLE:** Fixed at 37 degrees.
- BLADE SPACING:** Approx. 6" (152) on centers.
- BLADE SUPPORT BRACKETS:** Concealed type, factory installed on rear of louver on maximum 48" (1219) centers. Reinforced with 1" x 1" (25 x 25) angle (adds approx. 1" [25] to overall louver depth).
- MULLIONS:** Concealed type allowing continuous line appearance up to 120" (3048) wide. Larger assemblies require separate visible frames with downspouts.
- SCREEN:** 3/4" x .051 (19 x 1.3) expanded, flattened aluminum bird screen in removable frame, inside (rear) mount (adds approximately 3/8" [10] to louver depth).
- FINISH:** Mill.
- MINIMUM SIZE:** 12" W x 12" H (305 x 305).
- MAX. SINGLE SECTION SIZE:** 120" W x 84" H (3048 x 2134) or 84" W x 120" H (2134 x 3048). 70 sq. ft. (6.5m²). Larger louvers will require field assembly of smaller sections.

OPTIONS:

- FL** Flanged Frame.
- BSSS** Type 304 S.S. Bird Screen.
- BSN** No Bird Screen.
- ISA** Aluminum Insect Screen.
- ISSS** Type 304 S.S. Insect Screen.
- WE** Welded Construction.
- ESI** Extended Sill.
- FR1** 1" (25) Filter Rack.
- FR2** 2" (51) Filter Rack.
- PAC** Perimeter Anchor Clips.
- Other:** _____

OPTIONAL FINISHES:

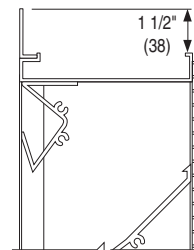
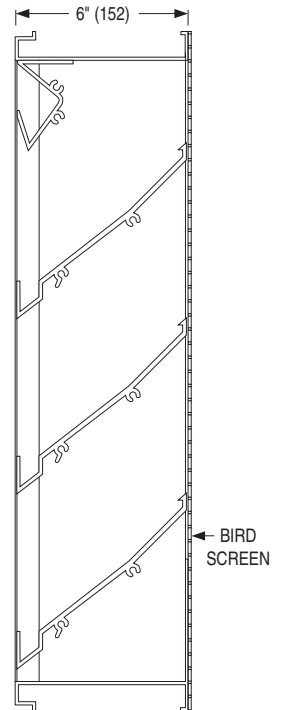
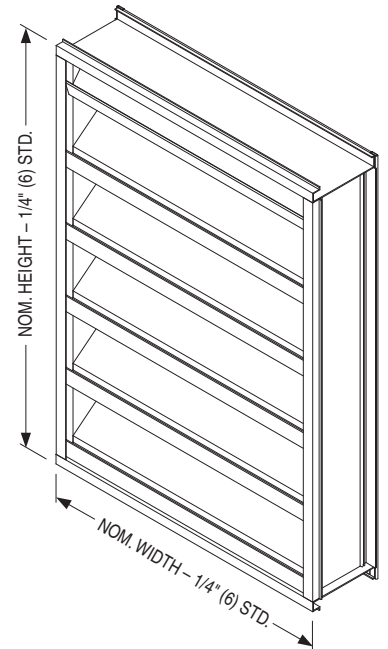
- PC3** Powder Coat AAMA 2603. Color: _____
- PC4** High Performance Powder Coat AAMA 2604 (Equivalent to 50% Kynar®). Color: _____
- PC5** Fluoropolymer Powder Coat AAMA 2605 (Equivalent to 70% Kynar®). Color: _____
- PCC** Prime Coat.
- AN04** Clear Anodized 204-R1.
- AN15** Clear Anodized 215-R1.

Color Anodized:

- ANLB** Light Bronze. **ANMB** Medium Bronze.
- ANDB** Dark Bronze. **ANBK** Black.

OPTIONAL W x H SIZING (1/4" [6.5] Undersize standard):

- U00** Exact Size.
- U38** Undersize 3/8" (9.5).
- U50** Undersize 1/2" (12.7).



FLANGED FRAME (FL)
(OPTIONAL)

SCHEDULE TYPE:
PROJECT:
ENGINEER:
CONTRACTOR:

Page 1 of 2
Dimensions are in inches (mm).

DATE	B SERIES	SUPERSEDES	DRAWING NO.
12 - 1 - 10	1600	1606SD-1 6 - 25 - 08	1606D



EXTRUDED ALUMINUM STATIONARY LOUVER 6" (152) DEEP • DUAL DRAINABLE BLADE MODEL: 1606DD

Model 1606DD is a dual drainable blade type louver that provides maximum weather protection, good air performance and aesthetics that compliment any building design. With the beginning point of water penetration at 1193 fpm (6.06 m/s) free area velocity, the design allows for optimal weather protection at higher airflow rates. Standard construction features a drainable head that collects the water running down the building face and channels it out the concealed downsputs in the side frame, preventing it from flowing down into the airstream. Suitable for use in exhaust and low to medium velocity intake applications, the dual drainable blade design utilizes double rain gutters that divert collected water down concealed side downsputs and out the sill. Blades are reinforced with full length integral bosses for superior strength and the design exhibits low pressure drop characteristics throughout the full airflow range. Available with channel or flanged type frame to suit most architectural and mechanical installation requirements, Model 1606DD is engineered for maximum protection from the elements and is AMCA Licensed.

STANDARD CONSTRUCTION:

- FRAME:** 6" (152) deep, Type 6063-T5 extruded aluminum, .080" (2.03) nominal wall thickness. Integral downsputs and caulking slot provided.
- BLADES:** Type 6063-T5 extruded aluminum, .080" (2.03) nominal wall thickness, with reinforcing bosses.
- BLADE ANGLE:** Fixed at 37 degrees.
- BLADE SPACING:** Approx. 6" (152) on centers.
- BLADE SUPPORT BRACKETS:** Concealed type, factory installed on rear of louver on maximum 48" (1219) centers. Reinforced with 1" x 1" (25 x 25) angle (adds approx. 1" (25) to overall louver depth).
- MULLIONS:** Concealed type allowing continuous line appearance up to 120" (3048) wide. Larger assemblies require separate visible frames with downsputs.
- SCREEN:** 3/4" x .051 (19 x 1.3) expanded, flattened aluminum bird screen in removable frame, inside (rear) mount (adds approximately 3/8" [10] to louver depth).
- FINISH:** Mill.
- MINIMUM SIZE:** 12" W x 12" H (305 x 305).
- MAX. SINGLE SECTION SIZE:** 120" W x 84" H (3048 x 2134) or 84" W x 120" H (2134 x 3048). 70 sq. ft. (6.5m²). Larger louvers will require field assembly of smaller sections.

OPTIONS:

- | | |
|---|---|
| <input type="checkbox"/> FL Flanged Frame. | <input type="checkbox"/> ESI Extended Sill. |
| <input type="checkbox"/> BSSS Type 304 S.S. Bird Screen. | <input type="checkbox"/> FR1 1" (25) Filter Rack. |
| <input type="checkbox"/> BSN No Bird Screen. | <input type="checkbox"/> FR2 2" (51) Filter Rack. |
| <input type="checkbox"/> ISA Aluminum Insect Screen. | <input type="checkbox"/> PAC Perimeter Anchor Clips. |
| <input type="checkbox"/> ISSS Type 304 S.S. Insect Screen. | <input type="checkbox"/> Other: _____ . |
| <input type="checkbox"/> WE Welded Construction. | |

OPTIONAL FINISHES:

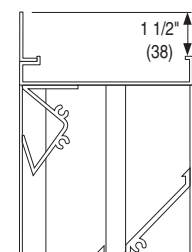
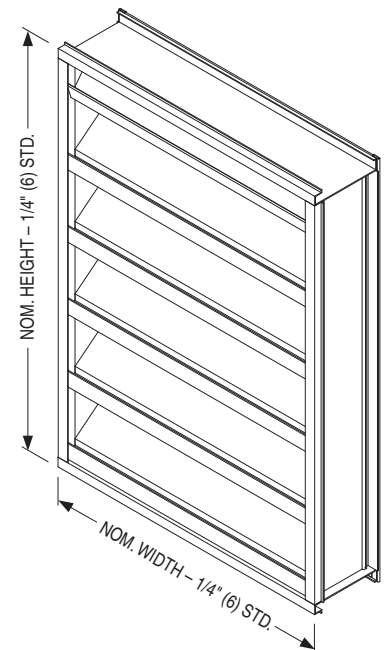
- PC3** Powder Coat AAMA 2603. Color: _____ .
- PC4** High Performance Powder Coat AAMA 2604 (Equivalent to 50% Kynar®). Color: _____ .
- PC5** Fluoropolymer Powder Coat AAMA 2605 (Equivalent to 70% Kynar®). Color: _____ .
- PCC** Prime Coat.
- AN04** Clear Anodized 204-R1.
- AN15** Clear Anodized 215-R1.

Color Anodized:

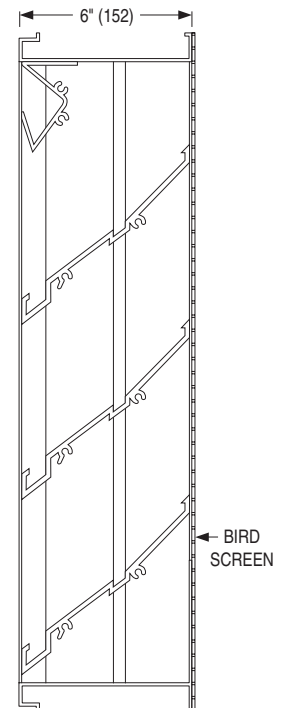
- | | |
|--|---|
| <input type="checkbox"/> ANLB Light Bronze. | <input type="checkbox"/> ANMB Medium Bronze. |
| <input type="checkbox"/> ANDB Dark Bronze. | <input type="checkbox"/> ANBK Black. |

OPTIONAL W x H SIZING (1/4" [6.5] Undersize standard):

- U00** Exact Size.
- U38** Undersize 3/8" (9.5).
- U50** Undersize 1/2" (12.7).



FLANGED FRAME (FL)
(OPTIONAL)



← BIRD SCREEN

SCHEDULE TYPE:

PROJECT:

ENGINEER:

CONTRACTOR:

Page 1 of 3
Dimensions are in inches (mm).

DATE	B SERIES	SUPERSEDES	DRAWING NO.
12 - 1 - 10	1600	9 - 22 - 03R	1606DD



EXTRUDED ALUMINUM STATIONARY LOUVER
6" (152) DEEP • J BLADE • ARCHITECTURAL
MODEL: 1606J

Model 1606J, J style blade type, is an architecturally styled 6" (152) deep louver designed with smooth, clean lines that visually compliment any structure's exterior styling. Available in channel or flanged type, the 6" (152) deep frame installs easily in most common wall configurations. Suitable for use in exhaust and low to medium velocity intake applications, the blade design features a rear water baffle and provides good protection against general weather conditions, with low pressure drop characteristics and a high free area. Reinforcing bosses run the full length of each blade for superior strength.

STANDARD CONSTRUCTION:

- FRAME:** 6" (152) deep, Type 6063-T5 extruded aluminum, .080" (2.03) nominal wall thickness. Integral caulking slot provided.
- BLADES:** Type 6063-T5 extruded aluminum, .080" (2.03) nominal wall thickness, with reinforcing bosses. J style.
- BLADE ANGLE:** Fixed at 37 degrees.
- BLADE SPACING:** Approximately 6" (152) on centers.
- BLADE SUPPORT BRACKETS:** Concealed type, factory installed on rear of louver on maximum 48" (1219) centers. Reinforced with 1" x 1" (25 x 25) angle (adds approx. 1" [25] to overall louver depth).
- MULLIONS:** Concealed architectural style allowing continuous line appearance.
- SCREEN:** 3/4" x .051 (19 x 1.3) expanded, flattened aluminum bird screen in removable frame, inside (rear) mount (adds approximately 3/8" [10] to louver depth).
- FINISH:** Mill.
- MINIMUM SIZE:** 12" W x 12" H (305 x 305).

MAXIMUM SINGLE SECTION SIZE: 120" W x 84" H (3048 x 2134) or 84" W x 120" H (2134 x 3048). 70 sq. ft. (6.5m²). Larger louvers will require field assembly of smaller sections.

OPTIONS:

- FL** Flanged Frame.
- BSSS** Type 304 S.S. Bird Screen.
- BSN** No Bird Screen.
- ISA** Aluminum Insect Screen.
- ISSS** Type 304 S.S. Insect Screen.
- WE** Welded Construction.
- ESI** Extended Sill.
- FR1** 1" (25) Filter Rack.
- FR2** 2" (51) Filter Rack.
- PAC** Perimeter Anchor Clips.
- Other:** _____.

OPTIONAL FINISHES:

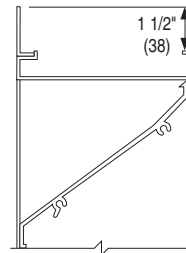
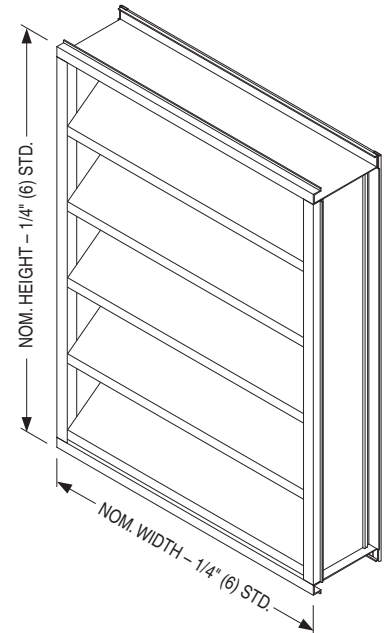
- PC3** Powder Coat AAMA 2603. Color: _____.
- PC4** High Performance Powder Coat AAMA 2604 (Equivalent to 50% Kynar®). Color: _____.
- PC5** Fluoropolymer Powder Coat AAMA 2605 (Equivalent to 70% Kynar®). Color: _____.
- PCC** Prime Coat.
- AN04** Clear Anodized 204-R1.
- AN15** Clear Anodized 215-R1.

Color Anodized:

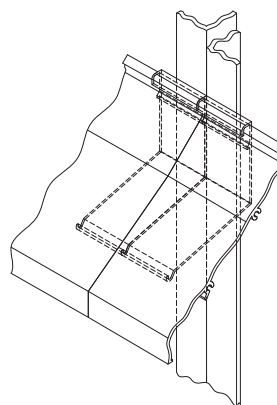
- ANLB** Light Bronze.
- ANDB** Dark Bronze.
- ANMB** Medium Bronze.
- ANBK** Black.

OPTIONAL W x H SIZING (1/4" [6.5] Undersize standard):

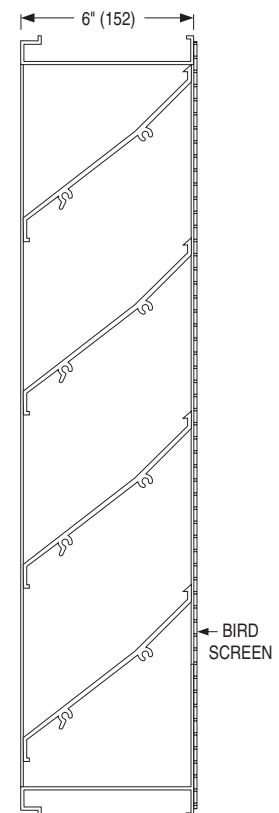
- U00** Exact Size.
- U38** Undersize 3/8" (9.5).
- U50** Undersize 1/2" (12.7).



FLANGED FRAME (FL)
(OPTIONAL)



ARCHITECTURAL STYLE
CONCEALED MULLION DETAIL



BIRD SCREEN

SCHEDULE TYPE:
PROJECT:
ENGINEER:
CONTRACTOR:

Page 1 of 2
Dimensions are in inches (mm).

DATE	B SERIES	SUPERSEDES	DRAWING NO.
12 - 1 - 10	1600	NEW	1606J

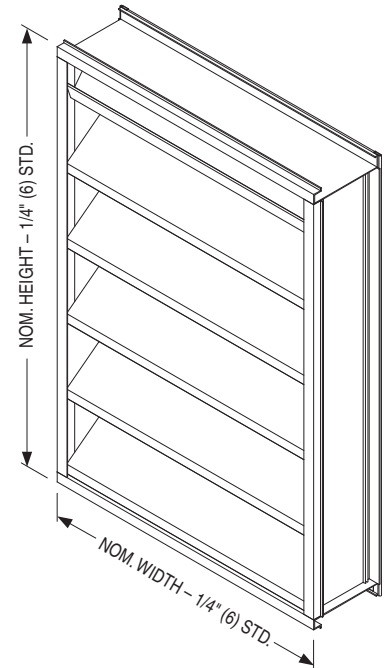


EXTRUDED ALUMINUM STATIONARY LOUVER 6" (152) DEEP • J BLADE • DRAINABLE HEAD MODEL: 1606JD (1606SB)

Model 1606JD is an architecturally styled 6" (152) deep louver designed with smooth, clean lines that visually compliment any structure's exterior styling. Available in channel or flanged type, the 6" (152) deep frame installs easily in most common wall configurations. The drainable head feature utilizes a top gutter that collects the water running down the building face and channels it out the concealed downspouts in the side frame, thus preventing it from flowing down into the airstream. Suitable for use in exhaust and low to medium velocity intake applications, the blade design features a rear water baffle and provides good protection against general weather conditions, with low pressure drop characteristics and a high free area. Reinforcing bosses run the full length of each blade for superior strength. Model 1606JD is engineered to be architecturally appealing as well as mechanically enduring.

STANDARD CONSTRUCTION:

- FRAME:** 6" (152) deep, Type 6063-T5 extruded aluminum, .080" (2.03) nominal wall thickness. Integral caulking slot provided.
- BLADES:** Type 6063-T5 extruded aluminum, .080" (2.03) nominal wall thickness, with reinforcing bosses. J style.
- BLADE ANGLE:** Fixed at 37 degrees.
- BLADE SPACING:** Approx. 6" (152) on centers.
- BLADE SUPPORT BRACKETS:** Concealed type, factory installed on rear of louver on maximum 48" (1219) centers. Reinforced with 1" x 1" (25 x 25) angle (adds approx. 1" [25] to overall louver depth).
- MULLIONS:** Concealed type allowing continuous line appearance up to 120" (3048) wide. Larger assemblies require separate visible frames with downspouts.
- SCREEN:** 3/4" x .051 (19 x 1.3) expanded, flattened aluminum bird screen in removable frame, inside (rear) mount (adds approximately 3/8" [10] to louver depth).
- FINISH:** Mill.
- MINIMUM SIZE:** 12" W x 12" H (305 x 305).
- MAX. SINGLE SECTION SIZE:** 120" W x 84" H (3048 x 2134) or 84" W x 120" H (2134 x 3048). 70 sq. ft. (6.5m²). Larger louvers will require field assembly of smaller sections.



OPTIONS:

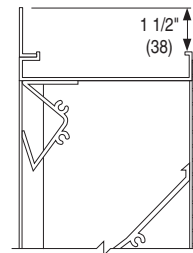
- FL** Flanged Frame.
- BSSS** Type 304 S.S. Bird Screen.
- BSN** No Bird Screen.
- ISA** Aluminum Insect Screen.
- ISSS** Type 304 S.S. Insect Screen.
- WE** Welded Construction.
- ESI** Extended Sill.
- FR1** 1" (25) Filter Rack.
- FR2** 2" (51) Filter Rack.
- PAC** Perimeter Anchor Clips.
- Other:** _____

OPTIONAL FINISHES:

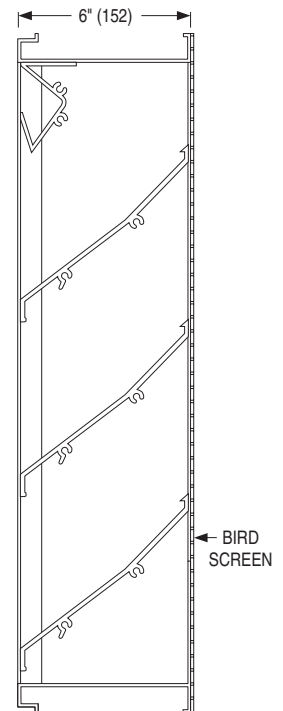
- PC3** Powder Coat AAMA 2603. Color: _____
 - PC4** High Performance Powder Coat AAMA 2604 (Equivalent to 50% Kynar®). Color: _____
 - PC5** Fluoropolymer Powder Coat AAMA 2605 (Equivalent to 70% Kynar®). Color: _____
 - PCC** Prime Coat.
 - AN04** Clear Anodized 204-R1.
 - AN15** Clear Anodized 215-R1.
- Color Anodized:
- ANLB** Light Bronze.
 - ANDB** Dark Bronze.
 - ANMB** Medium Bronze.
 - ANBK** Black.

OPTIONAL W x H SIZING (1/4" [6.5] Undersize standard):

- U00** Exact Size.
- U38** Undersize 3/8" (9.5).
- U50** Undersize 1/2" (12.7).



FLANGED FRAME (FL)
(OPTIONAL)



BIRD SCREEN

SCHEDULE TYPE:
PROJECT:
ENGINEER:
CONTRACTOR:

Page 1 of 3
Dimensions are in inches (mm).

DATE	B SERIES	SUPERSEDES	DRAWING NO.
12 - 1 - 10	1600	1606SB-1 4 - 28 - 08	1606JD



EXTRUDED ALUMINUM STATIONARY LOUVER 6" (152) DEEP • K BLADE • DRAINABLE HEAD MODEL: 1606KD (1606SR)

Model 1606KD, 6" (152) deep louver, combines excellent weather protection and performance with aesthetics that compliment any architectural design. Standard construction features a drainable head that collects the water running down the building face and channels it out the concealed downspouts in the side frame, thus preventing it from flowing down into the airstream. Suitable for use in exhaust and low to medium velocity intake applications, the K blade design features a rear water baffle plus an additional center rain hook, providing excellent protection against foul weather conditions. Blades are reinforced with full length integral bosses for superior strength, and with a 50% free area, the design is engineered to provide good performance throughout the full airflow range. The 6" (152) deep frame is available in either channel or flanged configuration to suit most architectural and mechanical installation requirements. Model 1606KD is AMCA Licensed.

STANDARD CONSTRUCTION:

- FRAME:** 6" (152) deep, Type 6063-T5 extruded aluminum, .080" (2.03) nominal wall thickness. Integral caulking slot provided.
- BLADES:** Type 6063-T5 extruded aluminum, .080" (2.03) nominal wall thickness, with reinforcing bosses. K style.
- BLADE ANGLE:** Fixed at 37 degrees.
- BLADE SPACING:** Approx. 6" (152) on centers.
- BLADE SUPPORT BRACKETS:** Concealed type, factory installed on rear of louver on maximum 48" (1219) centers. Reinforced with 1" x 1" (25 x 25) angle (adds approx. 1" [25] to overall louver depth).
- MULLIONS:** Concealed type allowing continuous line appearance up to 120" (3048) wide. Larger assemblies require separate visible frames with downspouts.
- SCREEN:** 3/4" x .051 (19 x 1.3) expanded, flattened aluminum bird screen in removable frame, inside (rear) mount (adds approximately 3/8" [10] to louver depth).
- FINISH:** Mill.
- MINIMUM SIZE:** 12" W x 12" H (305 x 305).
- MAX. SINGLE SECTION SIZE:** 120" W x 84" H (3048 x 2134) or 84" W x 120" H (2134 x 3048). 70 sq. ft. (6.5m²). Larger louvers will require field assembly of smaller sections.

OPTIONS:

- | | |
|---|---|
| <input type="checkbox"/> FL Flanged Frame. | <input type="checkbox"/> ESI Extended Sill. |
| <input type="checkbox"/> BSSS Type 304 S.S. Bird Screen. | <input type="checkbox"/> FR1 1" (25) Filter Rack. |
| <input type="checkbox"/> BSN No Bird Screen. | <input type="checkbox"/> FR2 2" (51) Filter Rack. |
| <input type="checkbox"/> ISA Aluminum Insect Screen. | <input type="checkbox"/> PAC Perimeter Anchor Clips. |
| <input type="checkbox"/> ISSS Type 304 S.S. Insect Screen. | <input type="checkbox"/> Other: _____ |
| <input type="checkbox"/> WE Welded Construction. | |

OPTIONAL FINISHES:

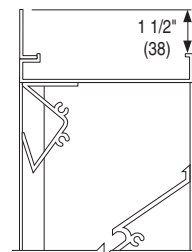
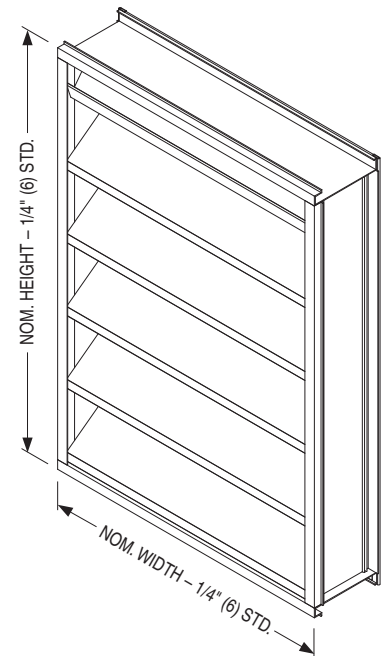
- PC3** Powder Coat AAMA 2603. Color: _____
- PC4** High Performance Powder Coat AAMA 2604 (Equivalent to 50% Kynar®). Color: _____
- PC5** Fluoropolymer Powder Coat AAMA 2605 (Equivalent to 70% Kynar®). Color: _____
- PCC** Prime Coat.
- AN04** Clear Anodized 204-R1.
- AN15** Clear Anodized 215-R1.

Color Anodized:

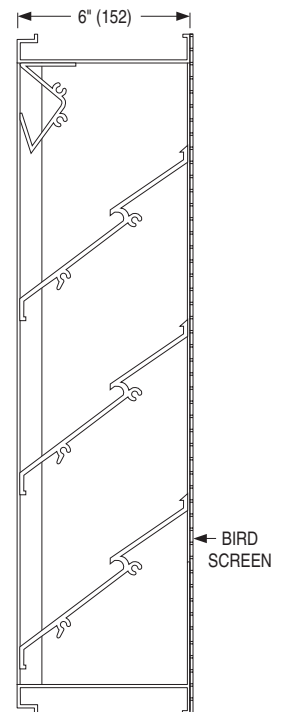
- | | |
|--|---|
| <input type="checkbox"/> ANLB Light Bronze. | <input type="checkbox"/> ANMB Medium Bronze. |
| <input type="checkbox"/> ANDB Dark Bronze. | <input type="checkbox"/> ANBK Black. |

OPTIONAL W x H SIZING (1/4" [6.5] Undersize standard):

- U00** Exact Size.
- U38** Undersize 3/8" (9.5).
- U50** Undersize 1/2" (12.7).



FLANGED FRAME (FL)
(OPTIONAL)



BIRD SCREEN

SCHEDULE TYPE:

PROJECT:

ENGINEER:

CONTRACTOR:

Page 1 of 3
Dimensions are in inches (mm).

DATE

B SERIES

SUPERSEDES

DRAWING NO.

12 - 1 - 10

1600

1604SR-1
9-22-03R

1606KD



ACOUSTICAL LOUVER • SIGHTPROOF
12" (305) DEEP • FORMED ALUMINUM
MODEL: 1612QS (1612AD)

Model 1612QS acoustical louver combines the most effective sound attenuation performance with protection from the elements in an architecturally pleasing design. Fiberglass blade insulation provides good sound absorption and the closely centered multiple formed J blade design is sightproof and provides excellent weather protection. The model is suitable for either intake or exhaust applications and the 30% free area provides good air performance throughout the airflow range.

STANDARD CONSTRUCTION:

FRAME: 12" (305) deep. Formed aluminum, .080" (2.03) nominal thickness.
BLADES: Formed aluminum, .080" (2.03) nominal thickness. Perforated interior retains and protects internal insulation.

ACOUSTICAL INSULATION: Fiberglass.

BLADE ANGLE: Fixed at 45 degrees.

BLADE SPACING: Approximately 6 1/2" (165) on centers.

MULLIONS: Visible type, as required, depending upon width.

SCREEN: 3/4" x .051" (19 x 1.3) expanded, flattened aluminum bird screen in removable frame (adds approximately 3/8" [10] to louver depth).

FINISH: Mill.

MINIMUM SIZE: 12" W x 18" H (305 x 457).

MAX. SINGLE SECTION SIZE: 60" W x 96" H (1524 x 3048). Larger louvers will require field assembly of smaller sections.

OPTIONS:

- FL** Flanged Frame.
- BSSS** Type 304 S.S. Bird Screen.
- BSN** No Bird Screen.
- ISA** Aluminum Insect Screen.
- ISSS** Type 304 S.S. Insect Screen.
- WE** Welded Construction.
- ESI** Extended Sill.
- FR1** 1" (25) Filter Rack.
- FR2** 2" (51) Filter Rack.
- PAC** Perimeter Anchor Clips.
- Other:** _____

OPTIONAL FINISHES:

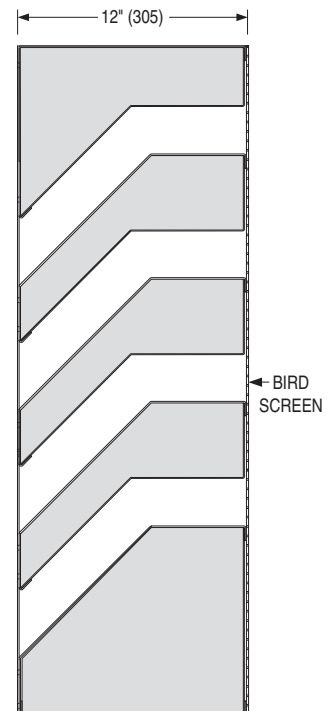
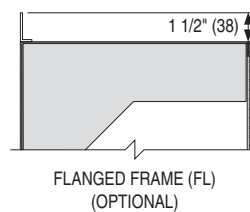
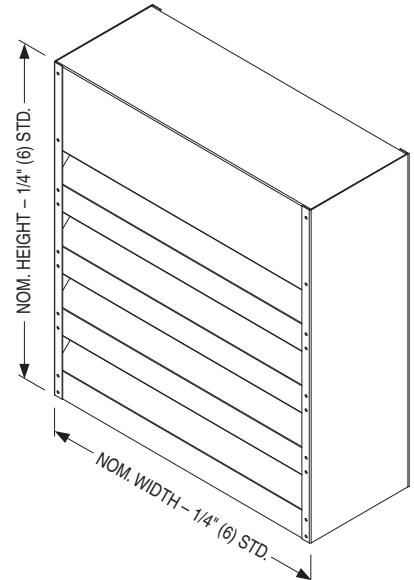
- PC3** Powder Coat AAMA 2603. Color: _____
- PC4** High Performance Powder Coat AAMA 2604 (Equivalent to 50% Kynar®). Color: _____
- PC5** Fluoropolymer Powder Coat AAMA 2605 (Equivalent to 70% Kynar®). Color: _____
- PCC** Prime Coat.
- AN04** Clear Anodized 204-R1.
- AN15** Clear Anodized 215-R1.

Color Anodized:

- ANLB** Light Bronze.
- ANMB** Medium Bronze.
- ANDB** Dark Bronze.
- ANBK** Black.

OPTIONAL W x H SIZING (1/4" [6.5] Undersize standard):

- U00** Exact Size.
- U38** Undersize 3/8" (9.5).
- U50** Undersize 1/2" (12.7).



SCHEDULE TYPE:
PROJECT:
ENGINEER:
CONTRACTOR:

Page 1 of 2
 Dimensions are in inches (mm).

DATE	B SERIES	SUPERSEDES	DRAWING NO.
12 - 1 - 10	1600	1612AD-1 1 - 10 - 08	1612QS

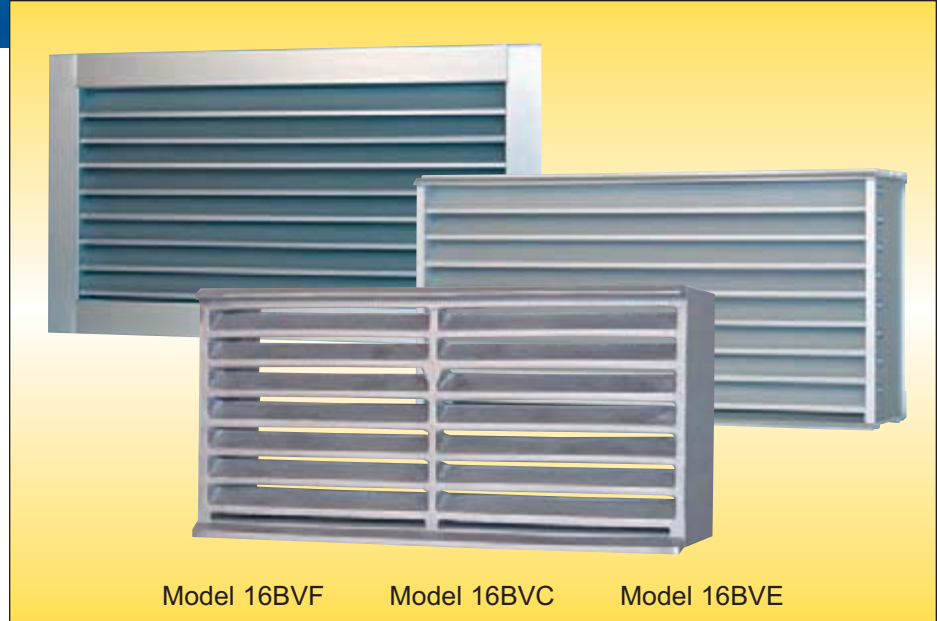
- CAST OR EXTRUDED ALUMINUM
- HEAVY DUTY CONSTRUCTION
- FOR NEW CONSTRUCTION OR RENOVATIONS

MODELS:

16BVC CAST ALUMINUM

16BVE EXTRUDED ALUMINUM

16BVF EXTRUDED ALUMINUM WITH FLANGE



Nailor 16BV Series Brick Vents provide a permanent, secure means of ventilating foundations, crawl spaces and other utility areas. All models incorporate a rear water stop and full width weepage openings for minimal water penetration during severe weather. Rugged cast or extruded aluminum construction resists potential damage due to vandalism, allowing for installation in accessible exterior areas. Standard insect screen prevents unwanted pests from entering through the vent. All models are available with an optional damper for volume control and an extended sleeve suitable for duct connection if desired.

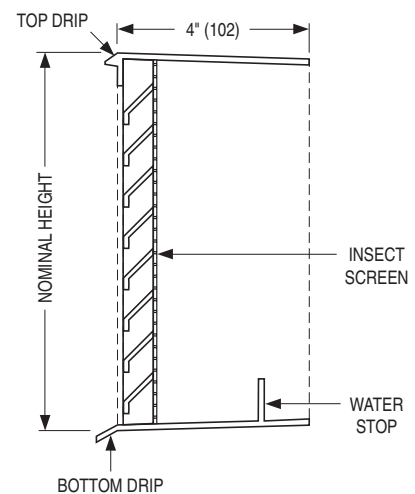
MODEL 16BVC

Model 16BVC features corrosion resistant cast aluminum construction that is suitable for load bearing applications, ideal for new construction. Deep louvered blades exhibit a minimum 39% free area and provide for minimal through-viewing. A rear water stop minimizes water penetration, and top and bottom drips prevent water from staining brick.

MODEL 16BVC STANDARD CONSTRUCTION:

- FRAME:** 4" (102) deep, #319 cast aluminum, minimum .125" (3) thickness.
- BLADES:** #319 cast aluminum, minimum .125" (3) thickness, with cast face mullions on 8" (203) centers.
- SCREEN:** 7 x 7 aluminum mesh insect screen.
- FINISH:** Mill. Optional finishes are available.
- STD. SIZES:**

Width x Height
8" x 2 1/4" (203 x 57)
8 1/4" x 4 15/16" (210 x 125)
8" x 7 7/8" (203 x 200)
12" x 2 3/4" (305 x 70)
12" x 3 1/2" (305 x 89)
12" x 5" (305 x 127)
12" x 7 3/4" (305 x 197)
16 1/2" x 2 3/8" (419 x 60)
16" x 4" (406 x 102)
16" x 4 15/16" (406 x 125)
16" x 6" (406 x 152)
16" x 7 3/4" (406 x 197)



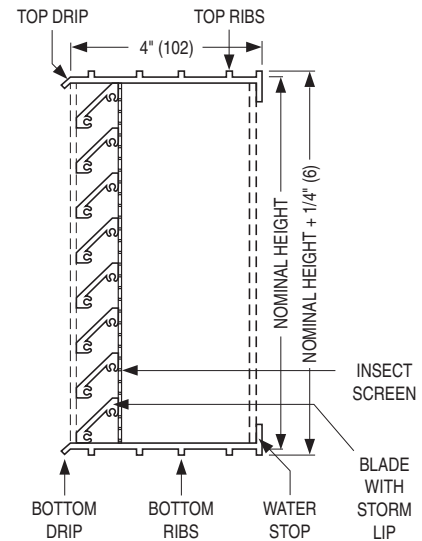
MODEL 16BVC

MODEL 16BVE

Model 16BVE features corrosion resistant extruded aluminum construction with top and bottom mortar ribs, ideal for new construction. Overlapping blades with storm lip exhibit a 35% free area and, combined with a rear frame water stop, minimize water penetration. Integral top and bottom drips prevent water from staining brick.

MODEL 16BVE STANDARD CONSTRUCTION:

- FRAME:** 4" (102) deep, Type 6063-T5 extruded aluminum, .125" (3.18) nominal wall thickness. Integral top and bottom mortar ribs.
 - BLADES:** 1" (25) deep on 1" (25) centers, Type 6063-T5 extruded aluminum, .125" (3.18) nominal wall thickness, fixed at 45 degrees, with integral storm lip.
 - SCREEN:** 18 x 14 mesh aluminum insect screen.
 - FINISH:** 204-R1 clear anodized finish. Optional finishes are available.
 - STD. SIZES:** See below. Non-standard sizes are also available.
- NOTE: For Model 16BVE, **heights** shown below do not include top and bottom mortar ribs (add 1/4" (6)).



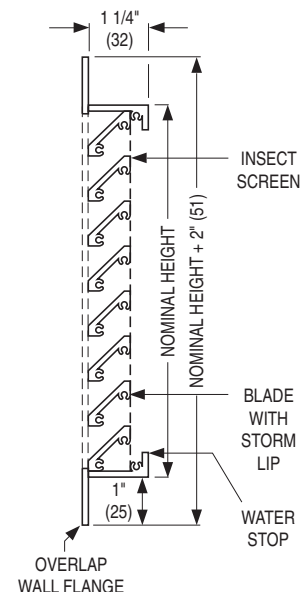
MODEL 16BVE

MODEL 16BVF

Model 16BVF features corrosion resistant extruded aluminum construction with a flanged frame that is ideal for use in renovations or existing openings. The 1" (25) flange provides an attractive finished appearance that conceals any rough edges in the opening. Overlapping blades with storm lip exhibit a 35% free area and, combined with a rear frame water stop, minimize water penetration.

MODEL 16BVF STANDARD CONSTRUCTION:

- FRAME:** 1 1/4" (32) deep, with integral 1" (25) flange, Type 6063-T5 extruded aluminum, .125" (3.18) nominal wall thickness.
 - BLADES:** 1" (25) deep on 1" (25) centers, Type 6063-T5 extruded aluminum, .125" (3.18) nominal wall thickness, fixed at 45 degrees, with integral storm lip.
 - SCREEN:** 18 x 14 mesh aluminum insect screen.
 - FINISH:** 204-R1 clear anodized finish. Optional finishes are available.
 - STD. SIZES:** See below. Non-standard sizes are also available.
- NOTE: For Model 16BVF, **widths** shown below do not include blade fasteners (add 1/4" (6)).



MODEL 16BVF

MODELS 16BVE & 16BVF STANDARD SIZES (Width x Height):

8 1/8" x 2 3/8" (206 x 60)	12" x 7 3/4" (305 x 197)	16 1/2" x 2 3/8" (419 x 60)	24" x 4 3/4" (610 x 121)
8 1/8" x 4 3/4" (206 x 121)	12" x 11 3/4" (305 x 298)	16 1/2" x 4 3/4" (419 x 121)	24" x 7 3/4" (610 x 197)
8 1/8" x 7 3/4" (206 x 197)	15 5/8" x 7 3/4" (397 x 197)	16 1/2" x 7 3/4" (419 x 197)	32" x 7 3/4" (813 x 197)
12" x 4 3/4" (305 x 121)	15 5/8" x 15 3/4" (397 x 400)	16 1/2" x 15 3/4" (419 x 400)	48" x 7 3/4" (1219 x 197)



FORMED STEEL ADJUSTABLE LOUVER
4" (102) DEEP • DRAINABLE BLADE
MODEL: 1704AD

Model 1704AD adjustable, drainable blade louver combines architecturally pleasing aesthetics with airflow control including tight shut-off. Suitable for use in exhaust and low to medium velocity intake applications, the design features a drainable blade with rain gutters that divert collected water down concealed side downspouts and out the sill. Rugged galvanized steel construction provides excellent durability. The blades can be operated manually or with an actuator to provide tight shut-off when desired. Model 1704AD provides operable flexibility as well as excellent protection against the elements.

STANDARD CONSTRUCTION:

- FRAME:** 4" (102) deep, 16 ga. (1.6) formed galvanized steel.
- BLADES:** 16 ga. (1.6) formed galvanized steel at 37 1/2 degree angle. Drainable style.
- BLADE SPACING:** Approx. 3 1/2" (89) on centers.
- JAMB SEALS:** Compression type cambered metal.
- AXLES:** 1/2" (13) dia. plated steel.
- BEARINGS:** 1/2" (13) dia. stainless steel sleeve type.
- LINKAGE:** Plated steel. Concealed in frame.
- OPERATOR:** Hand locking louver quadrant.
- SCREEN:** 1/2" x 1/2" x 19 ga. (13 x 13 x 1.0) galvanized bird screen in removable frame (adds approximately 3/8" [10] to louver depth).
- FINISH:** Mill.
- MINIMUM SIZE:** 12" wide x 12" high (305 x 305).

MAXIMUM SINGLE SECTION SIZE: 48" wide x 96" high (1219 x 2438) with jamb and/or blade seals. 60" wide x 96" high (1524 x 2438) without seals. Larger louvers will require field assembly of smaller sections.

OPTIONS:

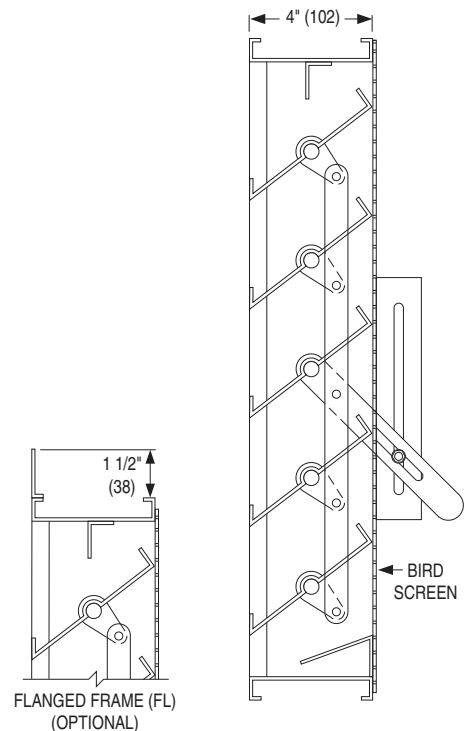
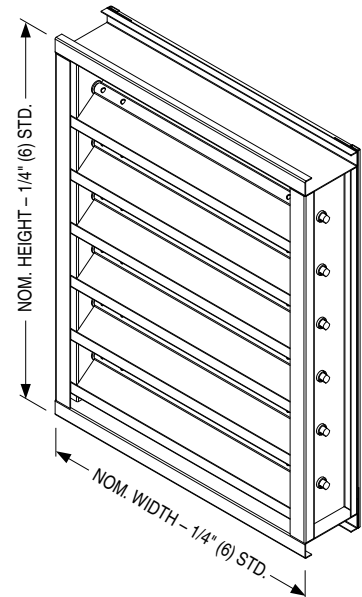
- FL** Flanged Frame.
- BPV** PVC Blade Seals.
- JSN** No Jamb Seals.
- BSA** Aluminum Bird Screen.
- BSSS** Type 304 S.S. Bird Screen.
- BSN** No Bird Screen.
- ISA** Aluminum Insect Screen.
- ISSS** Type 304 S.S. Insect Screen.
- 304** Type 304 S.S. Construction.
- 316** Type 316 S.S. Construction.
- WE** Welded Construction.
- ESI** Extended Sill.
- FR1** 1" (25) Filter Rack.
- FR2** 2" (51) Filter Rack.
- PAC** Perimeter Anchor Clips.
- ACT** Electric or Pneumatic Actuator.
- Specify: _____
- Other: _____

OPTIONAL FINISHES:

- PC3** Powder Coat AAMA 2603. Color: _____.
- PC4** High Performance Powder Coat AAMA 2604 (Equivalent to 50% Kynar®). Color: _____.
- PC5** Fluoropolymer Powder Coat AAMA 2605 (Equivalent to 70% Kynar®). Color: _____.
- PCC** Prime Coat.

OPTIONAL W x H SIZING (1/4" [6.5] Undersize standard):

- U00** Exact Size.
- U38** Undersize 3/8" (9.5).
- U50** Undersize 1/2" (12.7).



SCHEDULE TYPE:
PROJECT:
ENGINEER:
CONTRACTOR:

Page 1 of 2
 Dimensions are in inches (mm).

DATE	B SERIES	SUPERSEDES	DRAWING NO.
12 - 1 - 10	1700	5 - 3 - 10	1704AD



FORMED STEEL STATIONARY LOUVER
4" (102) DEEP • DRAINABLE BLADE
MODEL: 1704D (1704SD)

Model 1704D, drainable blade type formed louver, provides excellent weather protection in a 4" (102) deep frame, with good air performance and pleasing aesthetics that compliment any structure's exterior styling. Suitable for use in exhaust and low to medium velocity intake applications, the drainable blade design utilizes rain gutters that divert collected water down concealed side downspouts and out the sill. Galvanized steel construction is economical, yet durable and the design provides good air performance through it's 53% free area as well as excellent protection against the elements. Model 1704D is available with channel or flanged type frame to suit most architectural and mechanical installation requirements.

STANDARD CONSTRUCTION:

- FRAME:** 4" (102) deep, 20 ga. (1.0) formed galvanized steel.
- BLADES:** 20 ga. (1.0) formed galvanized steel. Drainable style.
- BLADE ANGLE:** Fixed at 45 degrees.
- BLADE SPACING:** Approx. 4" (102) on centers.
- SCREEN:** 1/2" x 1/2" x 19 ga. (13 x 13 x 1.0) galvanized bird screen in removable frame (adds approximately 3/8" [10] to louver depth).
- FINISH:** Mill.
- MINIMUM SIZE:** 12" wide x 12" high (305 x 305).
- MAXIMUM SINGLE SECTION SIZE:** 60" wide x 96" high (1524 x 2438). Larger louvers will require field assembly of smaller sections.

OPTIONS:

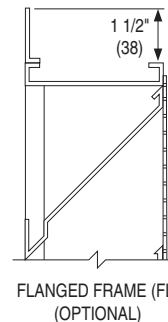
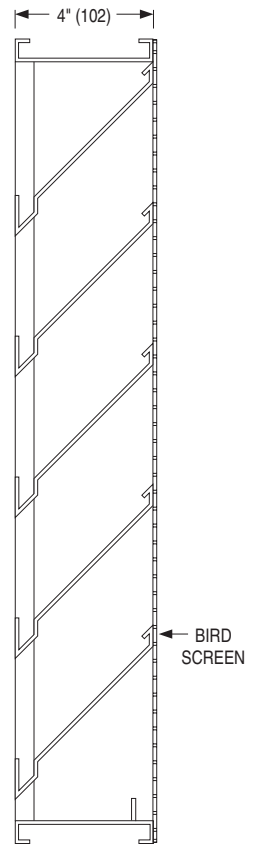
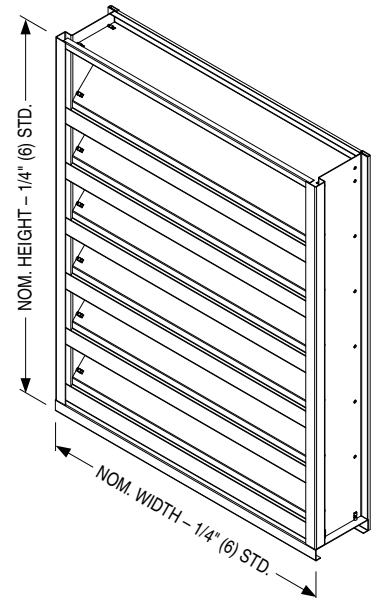
- FL** Flanged Frame.
- BSA** Aluminum Bird Screen.
- BSSS** Type 304 S.S. Bird Screen.
- BSN** No Bird Screen.
- ISA** Aluminum Insect Screen.
- ISSS** Type 304 S.S. Insect Screen.
- 18GA** 18 Gauge Construction.
- 16GA** 16 Gauge Construction.
- 304** Type 304 S.S. Construction.
- 316** Type 316 S.S. Construction.
- WE** Welded Construction.
- ESI** Extended Sill.
- FR1** 1" (25) Filter Rack.
- FR2** 2" (51) Filter Rack.
- PAC** Perimeter Anchor Clips.

OPTIONAL FINISHES:

- PC3** Powder Coat AAMA 2603. Color: _____.
- PC4** High Performance Powder Coat AAMA 2604 (Equivalent to 50% Kynar®). Color: _____.
- PC5** Fluoropolymer Powder Coat AAMA 2605 (Equivalent to 70% Kynar®). Color: _____.
- PCC** Prime Coat.

OPTIONAL W x H SIZING (1/4" [6.5] Undersize standard):

- U00** Exact Size.
- U38** Undersize 3/8" (9.5).
- U50** Undersize 1/2" (12.7).



SCHEDULE TYPE:
PROJECT:
ENGINEER:
CONTRACTOR:

Page 1 of 2
 Dimensions are in inches (mm).

DATE	B SERIES	SUPERSEDES	DRAWING NO.
12 - 1 - 10	1700	1704SD-1 7 - 27 - 09	1704D



FORMED STEEL STATIONARY LOUVER
4" (102) DEEP • DRAINABLE BLADE
HIGH PERFORMANCE
MODEL: 1704DHP (1704SDHP)

Model 1704DHP, high performance drainable blade type formed steel louver, provides excellent weather protection in a 4" (102) deep frame, with superior air performance and pleasing aesthetics that compliment any structure's exterior styling. Suitable for use in exhaust and low to medium velocity intake applications, the drainable blade design utilizes rain gutters that divert collected water down concealed side downspouts and out the sill. Galvanized steel construction is economical, yet durable and the design provides excellent air performance at higher velocities through it's 53% free area as well as maximum protection against the elements. Model 1704DHP is available with channel or flanged type frame to suit most architectural and mechanical installation requirements.

STANDARD CONSTRUCTION:

- FRAME:** 4" (102) deep, 20 ga. (1.0) formed galvanized steel.
- BLADES:** 20 ga. (1.0) formed galvanized steel. Drainable style.
- BLADE ANGLE:** Fixed at 37.5 degrees.
- BLADE SPACING:** Approx. 3 1/2" (89) on centers.
- SCREEN:** 1/2" x 1/2" x 19 ga. (13 x 13 x 1.0) galvanized bird screen in removable frame (adds approximately 3/8" [10] to louver depth).
- FINISH:** Mill.
- MINIMUM SIZE:** 12" wide x 12" high (305 x 305).
- MAXIMUM SINGLE SECTION SIZE:** 60" wide x 96" high (1524 x 2438). Larger louvers will require field assembly of smaller sections.

OPTIONS:

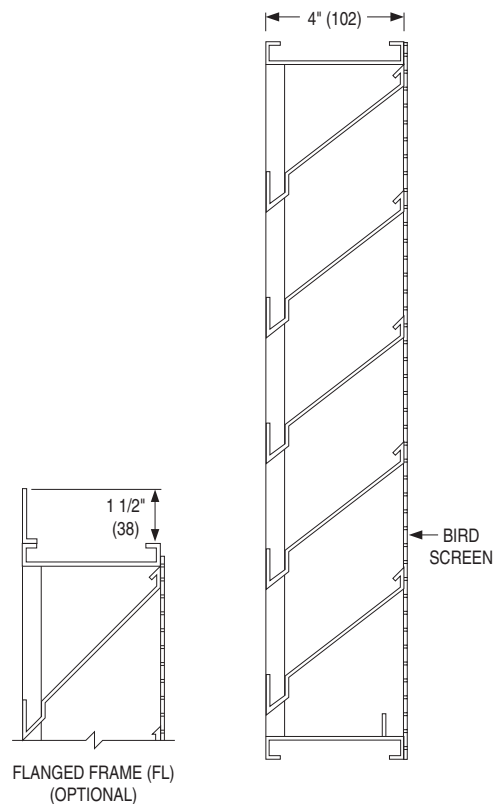
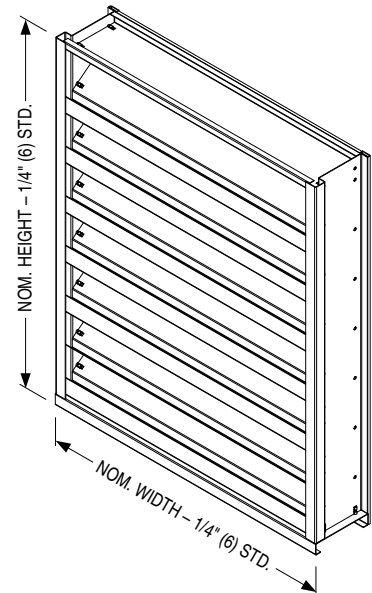
- FL** Flanged Frame.
- BSA** Aluminum Bird Screen.
- BSSS** Type 304 S.S. Bird Screen.
- BSN** No Bird Screen.
- ISA** Aluminum Insect Screen.
- ISSS** Type 304 S.S. Insect Screen.
- 18GA** 18 Gauge Construction.
- 16GA** 16 Gauge Construction.
- 304** Type 304 S.S. Construction.
- 316** Type 316 S.S. Construction.
- WE** Welded Construction.
- ESI** Extended Sill.
- FR1** 1" (25) Filter Rack.
- FR2** 2" (51) Filter Rack.
- PAC** Perimeter Anchor Clips.

OPTIONAL FINISHES:

- PC3** Powder Coat AAMA 2603. Color: _____.
- PC4** High Performance Powder Coat AAMA 2604 (Equivalent to 50% Kynar®). Color: _____.
- PC5** Fluoropolymer Powder Coat AAMA 2605 (Equivalent to 70% Kynar®). Color: _____.
- PCC** Prime Coat.

OPTIONAL W x H SIZING (1/4" [6.5] Undersize standard):

- U00** Exact Size.
- U38** Undersize 3/8" (9.5).
- U50** Undersize 1/2" (12.7).



SCHEDULE TYPE:
PROJECT:
ENGINEER:
CONTRACTOR:

Page 1 of 2
 Dimensions are in inches (mm).

DATE	B SERIES	SUPERSEDES	DRAWING NO.
12 - 1 - 10	1700	1704SDHP-1 11 - 16 - 09	1704DHP



FORMED STEEL STATIONARY LOUVER
4" (102) DEEP • J BLADE
MODEL: 1704J

Model 1704J, incorporating J style blades, is an architecturally styled 4" (102) deep formed louver designed with smooth, clean lines that visually compliment any structure's exterior styling. Galvanized steel construction is economical, yet durable and is available with channel or flanged frame. Suitable for use in exhaust and low to medium velocity intake applications, the blade design features a rear water baffle and provides good protection against general weather conditions, with low pressure drop characteristics and a high free area. Model 1704J is engineered to be architecturally appealing as well as mechanically enduring.

STANDARD CONSTRUCTION:

- FRAME:** 4" (102) deep, 18 ga. (1.3) formed galvanized steel.
- BLADES:** 20 ga. (1.0) formed galvanized steel. J style.
- BLADE ANGLE:** Fixed at 45 degrees.
- BLADE SPACING:** Approx. 4" (102) on centers.
- SCREEN:** 1/2" x 1/2" x 19 ga. (13 x 13 x 1.0) galvanized bird screen in removable frame (adds approximately 3/8" [10] to louver depth).
- FINISH:** Mill.
- MINIMUM SIZE:** 12" wide x 12" high (305 x 305).
- MAXIMUM SINGLE SECTION SIZE:** 60" wide x 96" high (1524 x 2438). Larger louvers will require field assembly of smaller sections.

OPTIONS:

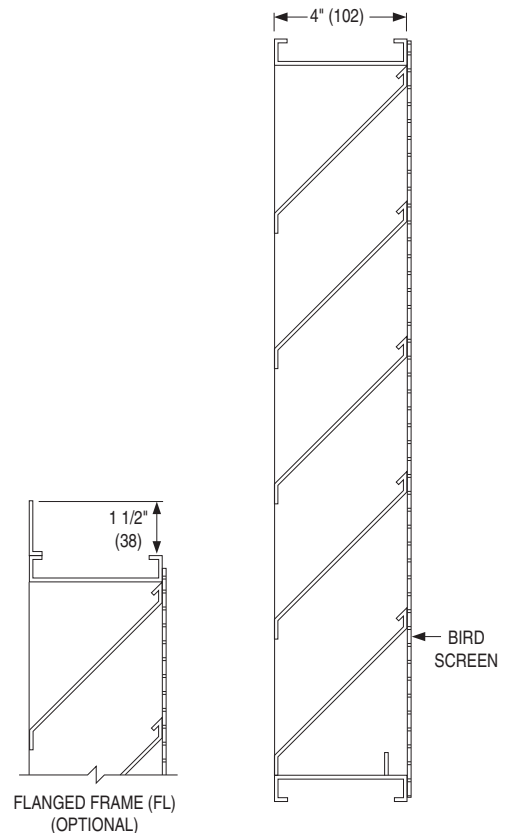
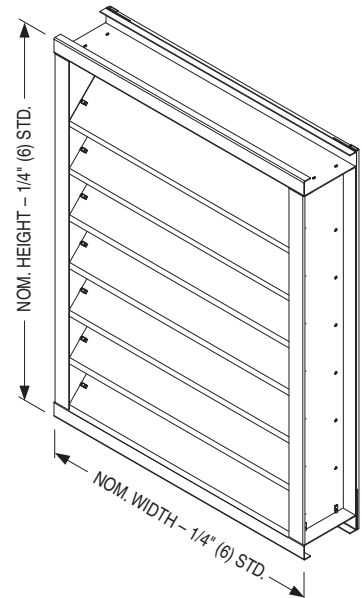
- FL** Flanged Frame.
- BSA** Aluminum Bird Screen.
- BSSS** Type 304 S.S. Bird Screen.
- BSN** No Bird Screen.
- ISA** Aluminum Insect Screen.
- ISSS** Type 304 S.S. Insect Screen.
- 18GA** 18 Gauge Construction.
- 16GA** 16 Gauge Construction.
- 304** Type 304 S.S. Construction.
- 316** Type 316 S.S. Construction.
- WE** Welded Construction.
- ESI** Extended Sill.
- FR1** 1" (25) Filter Rack.
- FR2** 2" (51) Filter Rack.
- PAC** Perimeter Anchor Clips.

OPTIONAL FINISHES:

- PC3** Powder Coat AAMA 2603. Color: _____.
- PC4** High Performance Powder Coat AAMA 2604 (Equivalent to 50% Kynar®). Color: _____.
- PC5** Fluoropolymer Powder Coat AAMA 2605 (Equivalent to 70% Kynar®). Color: _____.
- PCC** Prime Coat.

OPTIONAL W x H SIZING (1/4" [6.5] Undersize standard):

- U00** Exact Size.
- U38** Undersize 3/8" (9.5).
- U50** Undersize 1/2" (12.7).



SCHEDULE TYPE:
PROJECT:
ENGINEER:
CONTRACTOR:

Page 1 of 2
 Dimensions are in inches (mm).

DATE	B SERIES	SUPERSEDES	DRAWING NO.
12 - 1 - 10	1700	8 - 25 - 09	1704J



FORMED STEEL STATIONARY LOUVER
4" (102) DEEP • J BLADE • DRAINABLE HEAD
MODEL: 1704JD (1704SB)

Model 1704JD, incorporating J style blades, is an architecturally styled 4" (102) deep formed louver designed with smooth, clean lines that visually compliment any structure's exterior styling. Galvanized steel construction is economical, yet durable and is available with channel or flanged frame. The drainable head feature utilizes a top gutter that collects the water running down the building face and channels it out the concealed downsports in the side frame, thus preventing it from flowing down into the airstream. Suitable for use in exhaust and low to medium velocity intake applications, the blade design features a rear water baffle and provides good protection against general weather conditions, with low pressure drop characteristics and a high free area. Model 1704JD is AMCA Licensed and is engineered to be architecturally appealing as well as mechanically enduring.

STANDARD CONSTRUCTION:

- FRAME:** 4" (102) deep, 18 ga. (1.3) formed galvanized steel.
- BLADES:** 20 ga. (1.0) formed galvanized steel. J style.
- BLADE ANGLE:** Fixed at 45 degrees.
- BLADE SPACING:** Approx. 4" (102) on centers.
- SCREEN:** 1/2" x 1/2" x 19 ga. (13 x 13 x 1.0) galvanized bird screen in removable frame (adds approximately 3/8" [10] to louver depth).
- FINISH:** Mill.
- MINIMUM SIZE:** 12" wide x 12" high (305 x 305).
- MAXIMUM SINGLE SECTION SIZE:** 60" wide x 96" high (1524 x 2438). Larger louvers will require field assembly of smaller sections.

OPTIONS:

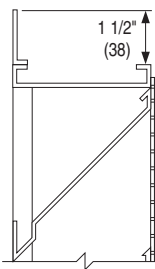
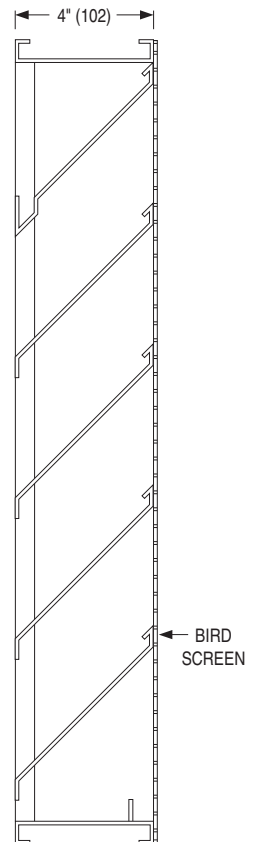
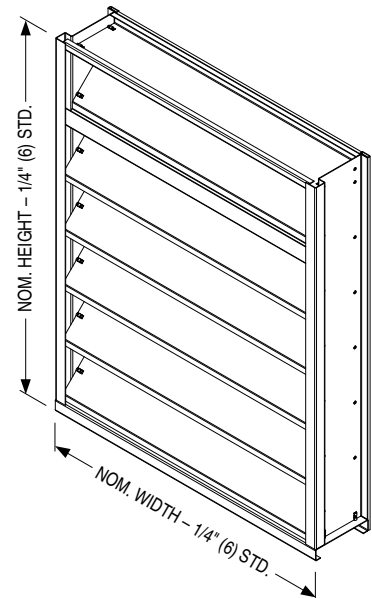
- FL** Flanged Frame.
- BSA** Aluminum Bird Screen.
- BSSS** Type 304 S.S. Bird Screen.
- BSN** No Bird Screen.
- ISA** Aluminum Insect Screen.
- ISSS** Type 304 S.S. Insect Screen.
- 18GA** 18 Gauge Construction.
- 16GA** 16 Gauge Construction.
- 304** Type 304 S.S. Construction.
- 316** Type 316 S.S. Construction.
- WE** Welded Construction.
- ESI** Extended Sill.
- FR1** 1" (25) Filter Rack.
- FR2** 2" (51) Filter Rack.
- PAC** Perimeter Anchor Clips.

OPTIONAL FINISHES:

- PC3** Powder Coat AAMA 2603. Color: _____.
- PC4** High Performance Powder Coat AAMA 2604 (Equivalent to 50% Kynar®). Color: _____.
- PC5** Fluoropolymer Powder Coat AAMA 2605 (Equivalent to 70% Kynar®). Color: _____.
- PCC** Prime Coat.

OPTIONAL W x H SIZING (1/4" [6.5] Undersize standard):

- U00** Exact Size.
- U38** Undersize 3/8" (9.5).
- U50** Undersize 1/2" (12.7).



FLANGED FRAME (FL)
(OPTIONAL)

Page 1 of 2
 Dimensions are in inches (mm).

SCHEDULE TYPE:
PROJECT:
ENGINEER:
CONTRACTOR:

DATE	B SERIES	SUPERSEDES	DRAWING NO.
12 - 1 - 10	1700	1704SB-1 6 - 3 - 09	1704JD



**FORMED STEEL ADJUSTABLE LOUVER
6" (152) DEEP • DRAINABLE BLADE
MODEL: 1706AD**

Model 1706AD adjustable, drainable blade louver combines architecturally pleasing aesthetics with airflow control including tight shut-off. Suitable for use in exhaust and low to medium velocity intake applications, the design features a drainable blade with rain gutters that divert collected water down concealed side downspouts and out the sill. Rugged galvanized steel construction provides excellent durability. The blades can be operated manually or with an actuator to provide tight shut-off when desired. Model 1706AD provides operable flexibility as well as excellent protection against the elements.

STANDARD CONSTRUCTION:

- FRAME:** 6" (152) deep, 16 ga. (1.6) formed galvanized steel.
- BLADES:** 16 ga. (1.6) formed galvanized steel at 37 1/2 degree angle. Drainable style.
- BLADE SPACING:** Approximately 5" (127) on centers.
- JAMB SEALS:** Compression type cambered metal.
- AXLES:** 1/2" (13) dia. plated steel.
- BEARINGS:** 1/2" (13) dia. stainless steel sleeve type.
- LINKAGE:** Plated steel. Concealed in frame.
- OPERATOR:** Hand locking louver quadrant.
- SCREEN:** 1/2" x 1/2" x 19 ga. (13 x 13 x 1.0) galvanized bird screen in removable frame (adds approximately 3/8" [10] to louver depth).
- FINISH:** Mill.
- MINIMUM SIZE:** 12" wide x 12" high (305 x 305).

MAXIMUM SINGLE SECTION SIZE: 48" wide x 96" high (1219 x 2438) with jamb and/or blade seals. 60" wide x 96" high (1524 x 2438) without seals. Larger louvers will require field assembly of smaller sections.

OPTIONS:

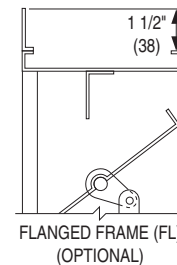
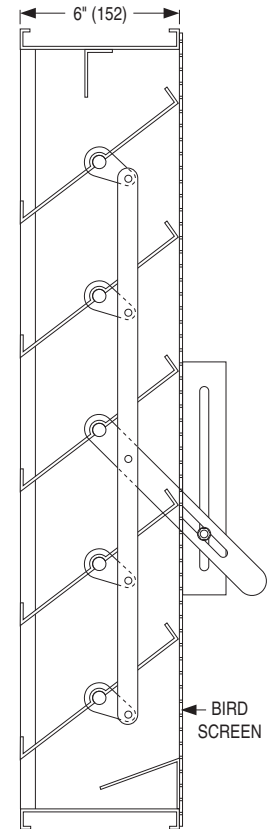
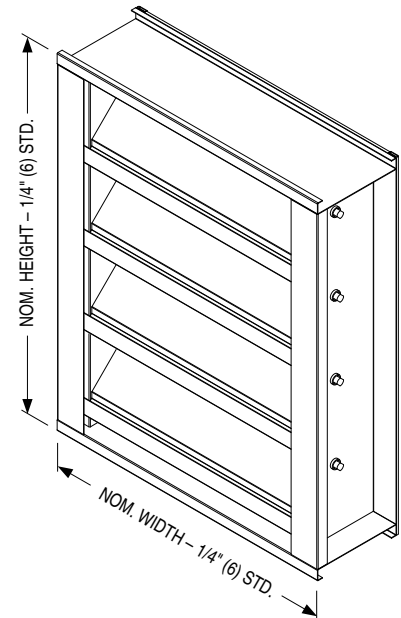
- FL** Flanged Frame.
- BPV** PVC Blade Seals.
- JSN** No Jamb Seals.
- BSA** Aluminum Bird Screen.
- BSSS** Type 304 S.S. Bird Screen.
- BSN** No Bird Screen.
- ISA** Aluminum Insect Screen.
- ISSS** Type 304 S.S. Insect Screen.
- 304** Type 304 S.S. Construction.
- 316** Type 316 S.S. Construction.
- WE** Welded Construction.
- ESI** Extended Sill.
- FR1** 1" (25) Filter Rack.
- FR2** 2" (51) Filter Rack.
- PAC** Perimeter Anchor Clips.
- ACT** Electric or Pneumatic Actuator.
- Specify: _____
- Other: _____

OPTIONAL FINISHES:

- PC3** Powder Coat AAMA 2603. Color: _____
- PC4** High Performance Powder Coat AAMA 2604 (Equivalent to 50% Kynar®). Color: _____
- PC5** Fluoropolymer Powder Coat AAMA 2605 (Equivalent to 70% Kynar®). Color: _____
- PCC** Prime Coat.

OPTIONAL W x H SIZING (1/4" [6.5] Undersize standard):

- U00** Exact Size.
- U38** Undersize 3/8" (9.5).
- U50** Undersize 1/2" (12.7).



SCHEDULE TYPE:
PROJECT:
ENGINEER:
CONTRACTOR:

Page 1 of 2
Dimensions are in inches (mm).

DATE	B SERIES	SUPERSEDES	DRAWING NO.
12 - 1 - 10	1700	5 - 3 - 10	1706AD



FORMED STEEL STATIONARY LOUVER
6" (152) DEEP • DRAINABLE BLADE
MODEL: 1706D (1706SD)

Model 1706D, drainable blade type formed louver, provides excellent weather protection in a 6" (152) deep frame, with good air performance and pleasing aesthetics that compliment any structure's exterior styling. Suitable for use in exhaust and low to medium velocity intake applications, the drainable blade design utilizes rain gutters that divert collected water down concealed side downspouts and out the sill. Galvanized steel construction is economical, yet durable and the design provides good air performance through it's 50% free area as well as excellent protection against the elements. Model 1706D is available with channel or flanged type frame to suit most architectural and mechanical installation requirements and is AMCA Licensed.

STANDARD CONSTRUCTION:

- FRAME:** 6" (152) deep, 18 ga. (1.3) formed galvanized steel.
- BLADES:** 20 ga. (1.0) formed galvanized steel. Drainable style.
- BLADE ANGLE:** Fixed at 45 degrees.
- BLADE SPACING:** Approx. 5 1/2" (140) on centers.
- SCREEN:** 1/2" x 1/2" x 19 ga. (13 x 13 x 1.0) galvanized bird screen in removable frame (adds approximately 3/8" [10] to louver depth).
- FINISH:** Mill.
- MINIMUM SIZE:** 12" wide x 12" high (305 x 305).
- MAXIMUM SINGLE SECTION SIZE:** 60" wide x 96" high (1524 x 2438). Larger louvers will require field assembly of smaller sections.

OPTIONS:

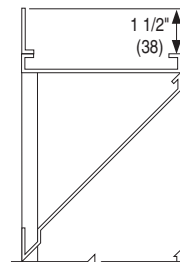
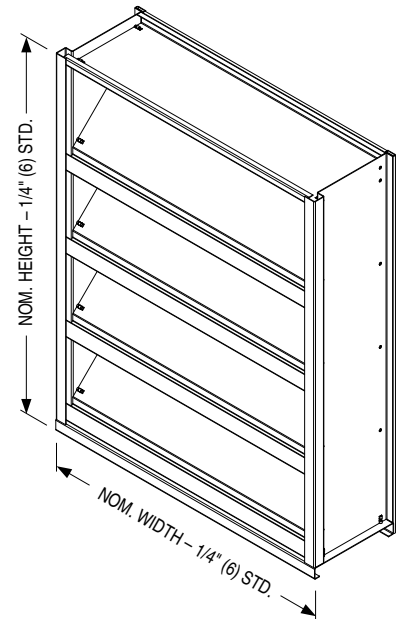
- FL** Flanged Frame.
- BSA** Aluminum Bird Screen.
- BSSS** Type 304 S.S. Bird Screen.
- BSN** No Bird Screen.
- ISA** Aluminum Insect Screen.
- ISSS** Type 304 S.S. Insect Screen.
- 18GA** 18 Gauge Construction.
- 16GA** 16 Gauge Construction.
- 304** Type 304 S.S. Construction.
- 316** Type 316 S.S. Construction.
- WE** Welded Construction.
- ESI** Extended Sill.
- FR1** 1" (25) Filter Rack.
- FR2** 2" (51) Filter Rack.
- PAC** Perimeter Anchor Clips.

OPTIONAL FINISHES:

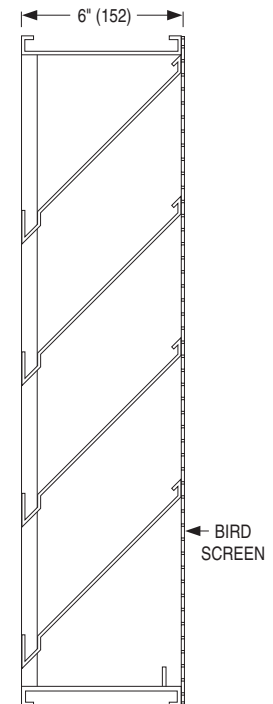
- PC3** Powder Coat AAMA 2603. Color: _____.
- PC4** High Performance Powder Coat AAMA 2604 (Equivalent to 50% Kynar®). Color: _____.
- PC5** Fluoropolymer Powder Coat AAMA 2605 (Equivalent to 70% Kynar®). Color: _____.
- PCC** Prime Coat.

OPTIONAL W x H SIZING (1/4" [6.5] Undersize standard):

- U00** Exact Size.
- U38** Undersize 3/8" (9.5).
- U50** Undersize 1/2" (12.7).



FLANGED FRAME (FL)
(OPTIONAL)



← BIRD SCREEN

SCHEDULE TYPE:
PROJECT:
ENGINEER:
CONTRACTOR:

Page 1 of 2
 Dimensions are in inches (mm).

DATE	B SERIES	SUPERSEDES	DRAWING NO.
12 - 1 - 10	1700	1706SD-1 6 - 3 - 09	1706D



FORMED STEEL STATIONARY LOUVER
6" (152) DEEP • DRAINABLE BLADE
HIGH PERFORMANCE
MODEL: 1706DHP (1706SDHP)

Model 1706DHP, high performance drainable blade type formed steel louver, provides excellent weather protection in a 6" (152) deep frame, with superior air performance and pleasing aesthetics that compliment any structure's exterior styling. Suitable for use in exhaust and low to medium velocity intake applications, the drainable blade design utilizes rain gutters that divert collected water down concealed side downspouts and out the sill. Galvanized steel construction is economical, yet durable and the design provides excellent air performance at higher velocities through it's 56% free area as well as maximum protection against the elements. Model 1706DHP is available with channel or flanged type frame to suit most architectural and mechanical installation requirements.

STANDARD CONSTRUCTION:

- FRAME:** 6" (152) deep, 20 ga. (1.0) formed galvanized steel.
- BLADES:** 20 ga. (1.0) formed galvanized steel. Drainable style.
- BLADE ANGLE:** Fixed at 37.5 degrees.
- BLADE SPACING:** Approx. 4 1/2" (114) on centers.
- SCREEN:** 1/2" x 1/2" x 19 ga. (13 x 13 x 1.0) galvanized bird screen in removable frame (adds approximately 3/8" [10] to louver depth).
- FINISH:** Mill.
- MINIMUM SIZE:** 12" wide x 12" high (305 x 305).
- MAXIMUM SINGLE SECTION SIZE:** 60" wide x 96" high (1524 x 2438). Larger louvers will require field assembly of smaller sections.

OPTIONS:

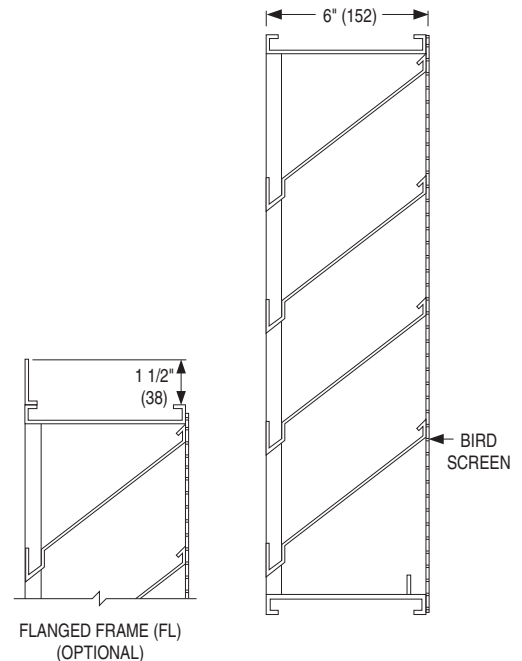
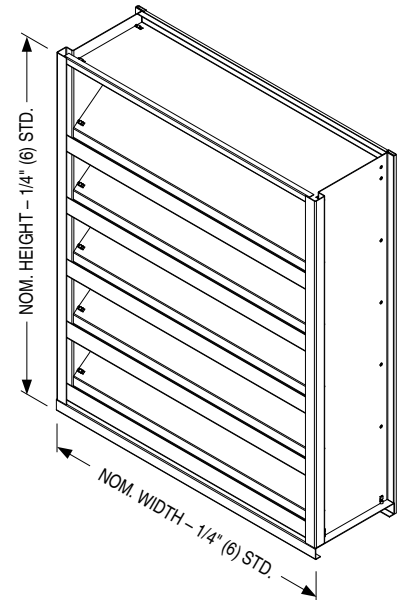
- FL** Flanged Frame.
- BSA** Aluminum Bird Screen.
- BSSS** Type 304 S.S. Bird Screen.
- BSN** No Bird Screen.
- ISA** Aluminum Insect Screen.
- ISSS** Type 304 S.S. Insect Screen.
- 18GA** 18 Gauge Construction.
- 16GA** 16 Gauge Construction.
- 304** Type 304 S.S. Construction.
- 316** Type 316 S.S. Construction.
- WE** Welded Construction.
- ESI** Extended Sill.
- FR1** 1" (25) Filter Rack.
- FR2** 2" (51) Filter Rack.
- PAC** Perimeter Anchor Clips.

OPTIONAL FINISHES:

- PC3** Powder Coat AAMA 2603. Color: _____.
- PC4** High Performance Powder Coat AAMA 2604 (Equivalent to 50% Kynar®). Color: _____.
- PC5** Fluoropolymer Powder Coat AAMA 2605 (Equivalent to 70% Kynar®). Color: _____.
- PCC** Prime Coat.

OPTIONAL W x H SIZING (1/4" [6.5] Undersize standard):

- U00** Exact Size.
- U38** Undersize 3/8" (9.5).
- U50** Undersize 1/2" (12.7).



SCHEDULE TYPE:
PROJECT:
ENGINEER:
CONTRACTOR:

Page 1 of 2
 Dimensions are in inches (mm).

DATE	B SERIES	SUPERSEDES	DRAWING NO.
12 - 1 - 10	1700	1706SDHP-1 11 - 16 - 09	1706DHP

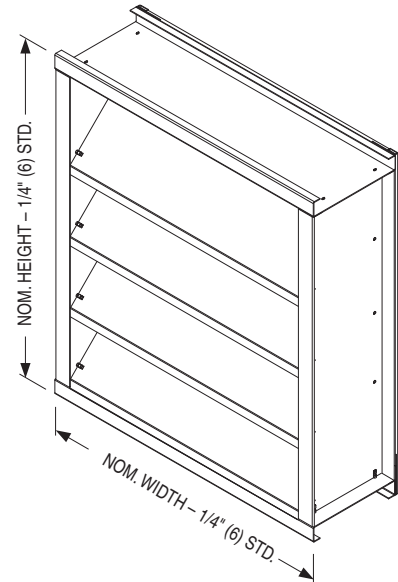


FORMED STEEL STATIONARY LOUVER
6" (152) DEEP • J BLADE
MODEL: 1706J

Model 1706J, incorporating J style blades, is an architecturally styled 6" (152) deep formed louver designed with smooth, clean lines that visually compliment any structure's exterior styling. Galvanized steel construction is economical, yet durable and is available with channel or flanged frame. Suitable for use in exhaust and low to medium velocity intake applications, the blade design features a rear water baffle and provides good protection against general weather conditions, with low pressure drop characteristics and a high free area. Model 1706J is engineered to be architecturally appealing as well as mechanically enduring.

STANDARD CONSTRUCTION:

- FRAME:** 6" (152) deep, 18 ga. (1.3) formed galvanized steel.
- BLADES:** 20 ga. (1.0) formed galvanized steel. J style.
- BLADE ANGLE:** Fixed at 45 degrees.
- BLADE SPACING:** Approx. 5 1/2" (140) on centers.
- SCREEN:** 1/2" x 1/2" x 19 ga. (13 x 13 x 1.0) galvanized bird screen in removable frame (adds approximately 3/8" [10] to louver depth).
- FINISH:** Mill.
- MINIMUM SIZE:** 12" wide x 12" high (305 x 305).
- MAXIMUM SINGLE SECTION SIZE:** 60" wide x 96" high (1524 x 2438). Larger louvers will require field assembly of smaller sections.



OPTIONS:

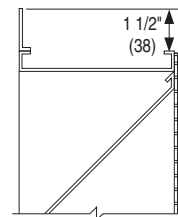
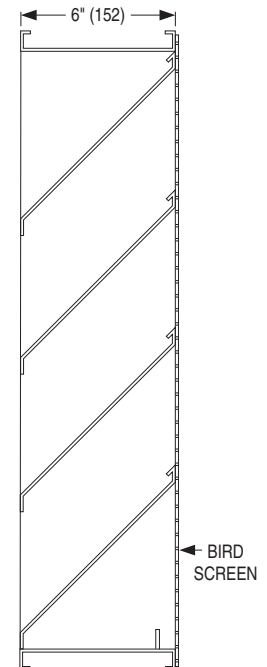
- FL** Flanged Frame.
- BSA** Aluminum Bird Screen.
- BSSS** Type 304 S.S. Bird Screen.
- BSN** No Bird Screen.
- ISA** Aluminum Insect Screen.
- ISSS** Type 304 S.S. Insect Screen.
- 18GA** 18 Gauge Construction.
- 16GA** 16 Gauge Construction.
- 304** Type 304 S.S. Construction.
- 316** Type 316 S.S. Construction.
- WE** Welded Construction.
- ESI** Extended Sill.
- FR1** 1" (25) Filter Rack.
- FR2** 2" (51) Filter Rack.
- PAC** Perimeter Anchor Clips.

OPTIONAL FINISHES:

- PC3** Powder Coat AAMA 2603. Color: _____.
- PC4** High Performance Powder Coat AAMA 2604 (Equivalent to 50% Kynar®). Color: _____.
- PC5** Fluoropolymer Powder Coat AAMA 2605 (Equivalent to 70% Kynar®). Color: _____.
- PCC** Prime Coat.

OPTIONAL W x H SIZING (1/4" [6.5] Undersize standard):

- U00** Exact Size.
- U38** Undersize 3/8" (9.5).
- U50** Undersize 1/2" (12.7).



FLANGED FRAME (FL)
(OPTIONAL)

← BIRD SCREEN

SCHEDULE TYPE:
PROJECT:
ENGINEER:
CONTRACTOR:

Page 1 of 2
 Dimensions are in inches (mm).

DATE	B SERIES	SUPERSEDES	DRAWING NO.
12 - 1 - 10	1700	8 - 25 - 09	1706J



FORMED STEEL STATIONARY LOUVER 6" (152) DEEP • J BLADE • DRAINABLE HEAD MODEL: 1706JD (1706SB)

Model 1706JD, incorporating J style blades, is an architecturally styled 6" (152) deep formed louver designed with smooth, clean lines that visually compliment any structure's exterior styling. Galvanized steel construction is economical, yet durable and is available with channel or flanged frame. The drainable head feature utilizes a top gutter that collects the water running down the building face and channels it out the concealed downspouts in the side frame, thus preventing it from flowing down into the airstream. Suitable for use in exhaust and low to medium velocity intake applications, the blade design features a rear water baffle and provides good protection against general weather conditions, with low pressure drop characteristics and a high free area. Model 1706JD is AMCA Licensed and is engineered to be architecturally appealing as well as mechanically enduring.

STANDARD CONSTRUCTION:

- FRAME:** 6" (152) deep, 18 ga. (1.3) formed galvanized steel.
- BLADES:** 20 ga. (1.0) formed galvanized steel. J style.
- BLADE ANGLE:** Fixed at 45 degrees.
- BLADE SPACING:** Approx. 5 1/2" (140) on centers.
- SCREEN:** 1/2" x 1/2" x 19 ga. (13 x 13 x 1.0) galvanized bird screen in removable frame (adds approximately 3/8" [10] to louver depth).
- FINISH:** Mill.
- MINIMUM SIZE:** 12" wide x 12" high (305 x 305).
- MAXIMUM SINGLE SECTION SIZE:** 60" wide x 96" high (1524 x 2438). Larger louvers will require field assembly of smaller sections.

OPTIONS:

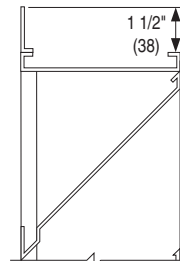
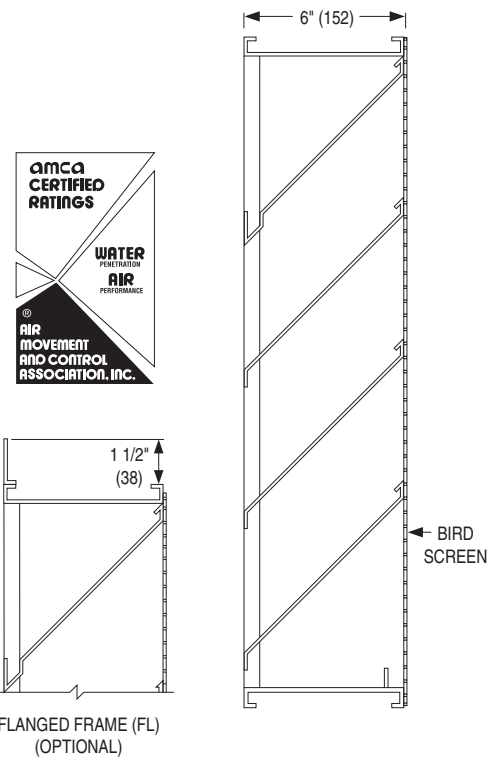
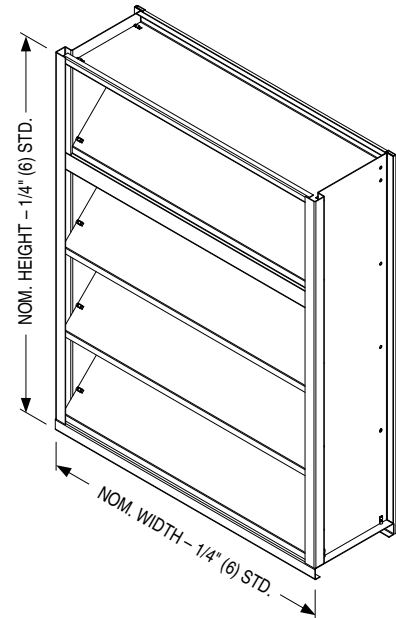
- FL** Flanged Frame.
- BSA** Aluminum Bird Screen.
- BSSS** Type 304 S.S. Bird Screen.
- BSN** No Bird Screen.
- ISA** Aluminum Insect Screen.
- ISSS** Type 304 S.S. Insect Screen.
- 18GA** 18 Gauge Construction.
- 16GA** 16 Gauge Construction.
- 304** Type 304 S.S. Construction.
- 316** Type 316 S.S. Construction.
- WE** Welded Construction.
- ESI** Extended Sill.
- FR1** 1" (25) Filter Rack.
- FR2** 2" (51) Filter Rack.
- PAC** Perimeter Anchor Clips.

OPTIONAL FINISHES:

- PC3** Powder Coat AAMA 2603. Color: _____ .
- PC4** High Performance Powder Coat AAMA 2604 (Equivalent to 50% Kynar®). Color: _____ .
- PC5** Fluoropolymer Powder Coat AAMA 2605 (Equivalent to 70% Kynar®). Color: _____ .
- PCC** Prime Coat.

OPTIONAL W x H SIZING (1/4" [6.5] Undersize standard):

- U00** Exact Size.
- U38** Undersize 3/8" (9.5).
- U50** Undersize 1/2" (12.7).



FLANGED FRAME (FL)
(OPTIONAL)

SCHEDULE TYPE:
PROJECT:
ENGINEER:
CONTRACTOR:

Page 1 of 2
Dimensions are in inches (mm).

DATE	B SERIES	SUPERSEDES	DRAWING NO.
12 - 1 - 10	1700	1706SB-1 6 - 3 - 09	1706JD


 Slate Blue **LF01**

 Medium Bronze **LF02**

 Sandstone **LF03**

 Light Gray **LF04**

 Charcoal **LF05**

 Bone White **LF06**

 Western Tan **LF07**

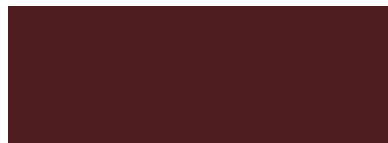
 Architectural Bronze **LF08**

 Regal Blue **LF09**

 Forest Green **LF10**

 Surrey Beige **LF11**

 Royal Brown **LF12**

 Barn Red **LF13**

 Burgundy **LF14**

 Clay **LF15**

 Almond **LF16**

 Coastal White **LF17**

 Vista Green **LF18**

 Black **LF19**

 Gloss Black **LF20**

 Campus Green **LF21**

Nailor offers 21 standard paint colors selected for architectural exterior use which meet or exceed AAMA specifications and performance requirements for color retention, chalk resistance, gloss retention, erosion, corrosion and chemical resistance as well as dry film thickness and hardness. Our state-of-the-art powder coat system provides an environment friendly finishing solution with more uniform coverage and coating thickness. The result is an exceptional finish that better resists scratching, fading and general wear. Additional liquid coat facilities for special requirements complete our ability to provide unmatched beauty and durability for any application. Custom color matching is also available upon request. Contact your local Nailor representative.



**SPECIALTY STATIONARY LOUVERS
EXTRUDED ALUMINUM
CIRCULAR & SEMICIRCULAR SHAPES
MODEL SERIES: 1600**

Nailor specialty shape louvers are available in a variety of blade/frame designs. The following louver models are available in specialty shapes as shown:

- | | | | | |
|-------------------|--------------------|-------------------|--------------------|-------------------|
| 1602J (SB) | 1604J | 1604D (SD) | 1606J | 1606D (SD) |
| 1602K (SR) | 1604JD (SB) | 1604DD | 1606JD (SB) | 1606DD |
| | 1604KD (SR) | | 1606KD (SR) | |

Note: Use of drainable blades is not recommended on certain shapes. Consult Nailor for specific applications.

PERFORMANCE:

Standard louvers are tested for water penetration and pressure drop in a square configuration only. Performance of specialty shape louvers may vary from that of standard louvers.

Specialty shape louvers are not licensed to bear the AMCA seal.

STANDARD CONSTRUCTION:

FRAME: Type 6063-T5 extruded or formed aluminum. Channel type standard. Frame profile may vary depending upon louver style and shape. Contact Nailor for specific details.

BLADES: Type 6063-T5 extruded aluminum. See applicable louver model submittal sheet for blade profile.

BLADE SUPPORT BRACKETS:

Concealed type, factory installed on rear of louver as necessary. Reinforced with 1" x 1" (25 x 25) vertical angle (adds approximately 1" [25] to overall louver depth).

SCREEN: 3/4" x .051 (19 x 1.3) expanded, flattened aluminum bird screen in removable frame, inside (rear) mount (adds approximately 3/8" [10] to louver depth).

FINISH: Mill.

MINIMUM SIZE: 20" Diameter (508). Contact Nailor for smaller sizes.

MAXIMUM SINGLE SECTION SIZE:

120" W x 84" H (3048 x 2134) or 84" H x 120" W (2134 x 3048). Larger louvers will require field assembly of smaller sections. Consult Nailor for section details of specific sizes.

OPTIONS:

- | | |
|---|---|
| <input type="checkbox"/> FL Flanged Frame. | <input type="checkbox"/> ISSS Type 304 S.S. Insect Screen. |
| <input type="checkbox"/> BSSS Type 304 S.S. Bird Screen. | <input type="checkbox"/> PAC Perimeter Anchor Clips. |
| <input type="checkbox"/> BSN No Bird Screen. | <input type="checkbox"/> Other: _____. |
| <input type="checkbox"/> ISA Aluminum Insect Screen. | |

OPTIONAL FINISHES:

- | |
|--|
| <input type="checkbox"/> PC3 Powder Coat AAMA 2603. Color: _____. |
| <input type="checkbox"/> PC4 High Performance Powder Coat AAMA 2604 (Equivalent to 50% Kynar®). Color: _____. |
| <input type="checkbox"/> PC5 Fluoropolymer Powder Coat AAMA 2605 (Equivalent to 70% Kynar®). Color: _____. |
| <input type="checkbox"/> PCC Prime Coat. |
| <input type="checkbox"/> AN04 Clear Anodized 204-R1. |
| <input type="checkbox"/> AN15 Clear Anodized 215-R1. |

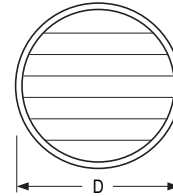
Color Anodized:

- | | |
|--|---|
| <input type="checkbox"/> ANLB Light Bronze. | <input type="checkbox"/> ANMB Medium Bronze. |
| <input type="checkbox"/> ANDB Dark Bronze. | <input type="checkbox"/> ANBK Black. |

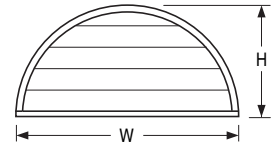
OPTIONAL W x H SIZING (1/4" [6.5] Undersize standard):

- | |
|--|
| <input type="checkbox"/> U00 Exact Size. |
| <input type="checkbox"/> U38 Undersize 3/8" (9.5). |
| <input type="checkbox"/> U50 Undersize 1/2" (12.7). |

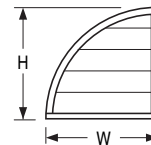
Contact Nailor for special configurations or requirements.



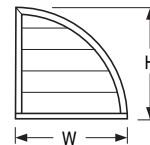
CA



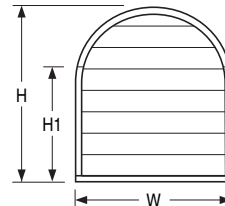
CB



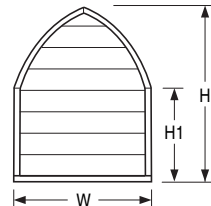
CC



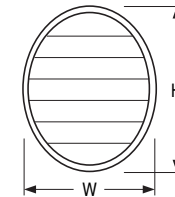
CD



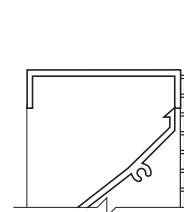
CE



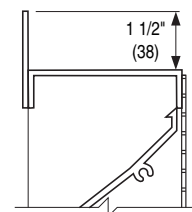
CF



CG



TYPICAL CHANNEL FRAME (STANDARD)



OPTIONAL FLANGED FRAME (FL)

SCHEDULE TYPE:

PROJECT:

ENGINEER:

CONTRACTOR:

Dimensions are in inches (mm).

DATE

B SERIES

SUPERSEDES

DRAWING NO.

11 - 15 - 10

1600

1600CSC-1
7-21-10

1600CSC



SPECIALTY STATIONARY LOUVERS EXTRUDED ALUMINUM TRIANGULAR & TRAPEZOIDAL SHAPES MODEL SERIES: 1600

Nailor specialty shape louvers are available in a variety of blade/frame designs. The following louver models are available in specialty shapes as shown:

1602J (SB)	1604J	1604D (SD)	1606J	1606D (SD)
1602K (SR)	1604JD (SB)	1604DD	1606JD (SB)	1606DD
	1604KD (SR)		1606KD (SR)	

Note: Use of drainable blades is not recommended on certain shapes. Consult Nailor for specific applications.

PERFORMANCE:

Standard louvers are tested for water penetration and pressure drop in a square configuration only. Performance of specialty shape louvers may vary from that of standard louvers.

Specialty shape louvers are not licensed to bear the AMCA seal.

STANDARD CONSTRUCTION:

FRAME: Type 6063-T5 extruded or formed aluminum. Channel type standard. Frame profile may vary depending upon louver style and shape. Contact Nailor for specific details.

BLADES: Type 6063-T5 extruded aluminum. See applicable louver model submittal sheet for blade profile.

BLADE SUPPORT

BRACKETS: Concealed type, factory installed on rear of louver as necessary. Reinforced with 1" x 1" (25 x 25) vertical angle (adds approximately 1" [25] to overall louver depth).

SCREEN: 3/4" x .051 (19 x 1.3) expanded, flattened aluminum bird screen in removable frame, inside (rear) mount (adds approximately 3/8" [10] to louver depth).

FINISH: Mill.

MINIMUM SIZE: 20" W x 16" H (508 x 406).

MAXIMUM SINGLE

SECTION SIZE: 120" W x 84" H (3048 x 2134) or 84" W x 120" H (2134 x 3048). Consult Nailor for section details of specific sizes. Larger louvers will require field assembly of smaller sections.

OPTIONS:

- | | |
|---|---|
| <input type="checkbox"/> FL Flanged Frame. | <input type="checkbox"/> ISSS Type 304 S.S. Insect Screen. |
| <input type="checkbox"/> BSSS Type 304 S.S. Bird Screen. | <input type="checkbox"/> PAC Perimeter Anchor Clips. |
| <input type="checkbox"/> BSN No Bird Screen. | <input type="checkbox"/> Other: _____. |
| <input type="checkbox"/> ISA Aluminum Insect Screen. | |

OPTIONAL FINISHES:

- | |
|--|
| <input type="checkbox"/> PC3 Powder Coat AAMA 2603. Color: _____. |
| <input type="checkbox"/> PC4 High Performance Powder Coat AAMA 2604 (Equivalent to 50% Kynar®). Color: _____. |
| <input type="checkbox"/> PC5 Fluoropolymer Powder Coat AAMA 2605 (Equivalent to 70% Kynar®). Color: _____. |
| <input type="checkbox"/> PCC Prime Coat. |
| <input type="checkbox"/> AN04 Clear Anodized 204-R1. |
| <input type="checkbox"/> AN15 Clear Anodized 215-R1. |

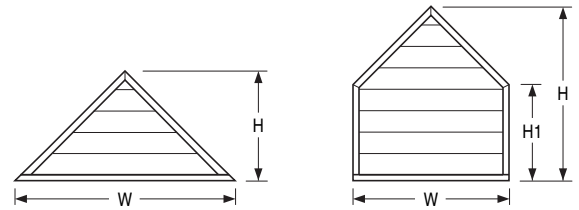
Color Anodized:

- | | |
|--|---|
| <input type="checkbox"/> ANLB Light Bronze. | <input type="checkbox"/> ANMB Medium Bronze. |
| <input type="checkbox"/> ANDB Dark Bronze. | <input type="checkbox"/> ANBK Black. |

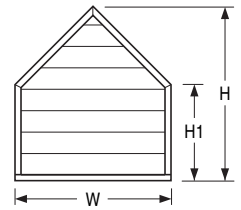
OPTIONAL W x H SIZING (1/4" [6.5] Undersize standard):

- | |
|--|
| <input type="checkbox"/> U00 Exact Size. |
| <input type="checkbox"/> U38 Undersize 3/8" (9.5). |
| <input type="checkbox"/> U50 Undersize 1/2" (12.7). |

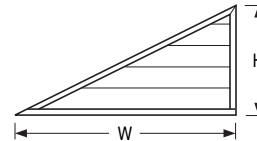
Contact Nailor for special configurations or requirements.



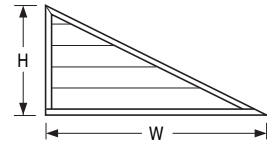
TA



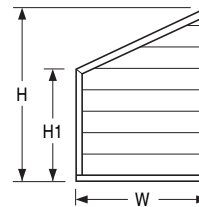
TB



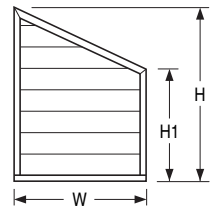
TC



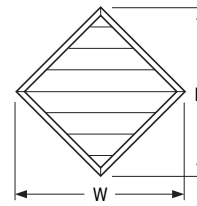
TD



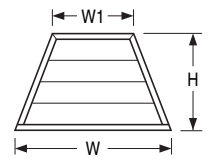
TE



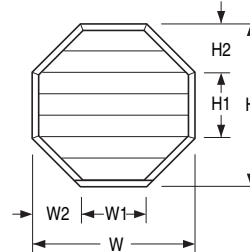
TF



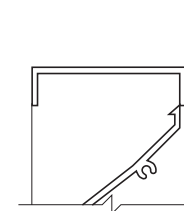
TG



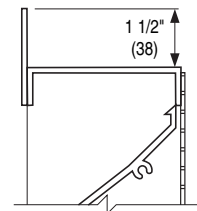
TH



TJ



TYPICAL CHANNEL FRAME (STANDARD)



OPTIONAL FLANGED FRAME (FL)

Dimensions are in inches (mm).

SCHEDULE TYPE:				
PROJECT:				
ENGINEER:	DATE	B SERIES	SUPERSEDES	DRAWING NO.
CONTRACTOR:	11 - 15 - 10	1600	1600TT-1 7-21-10	1600TT