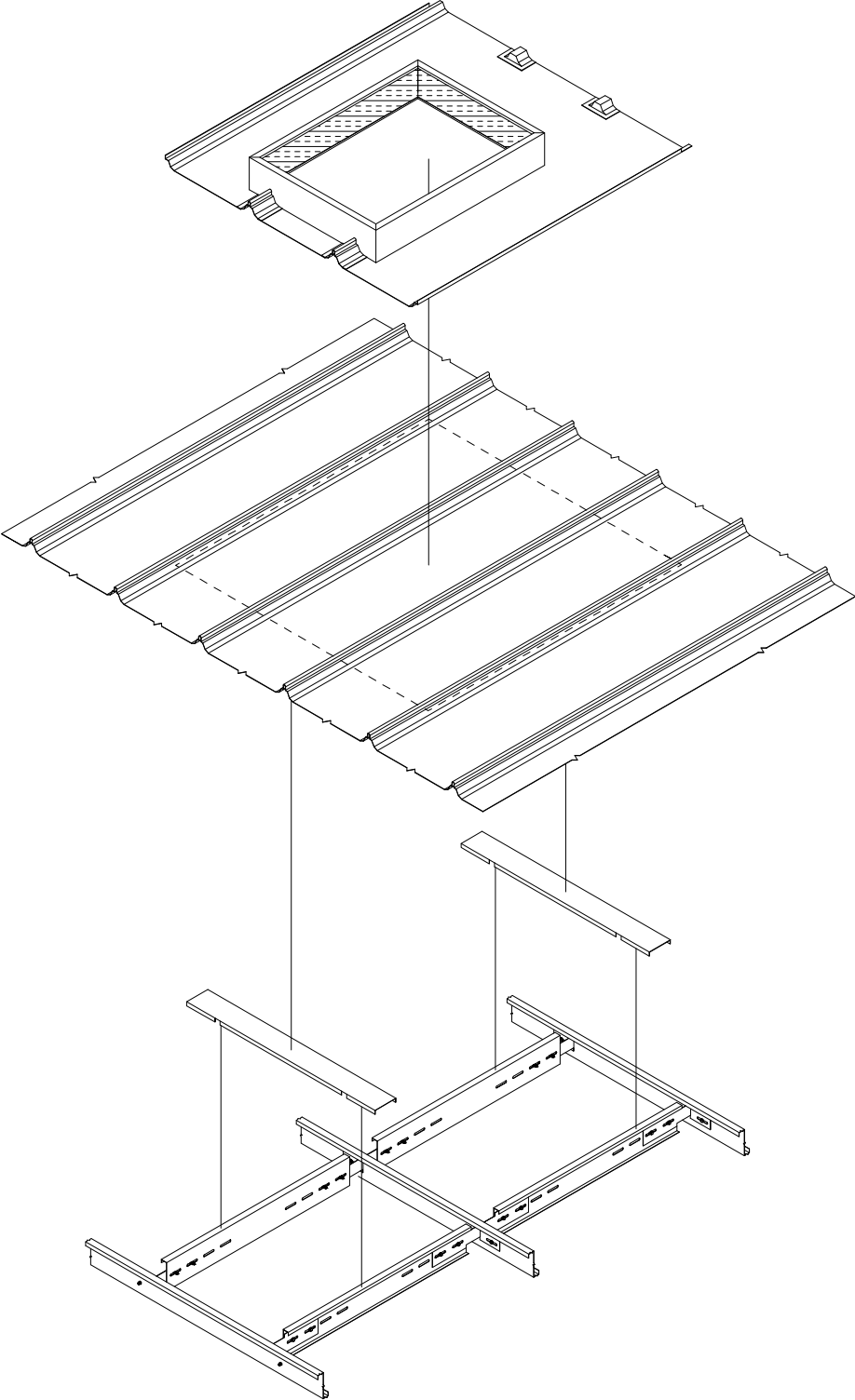
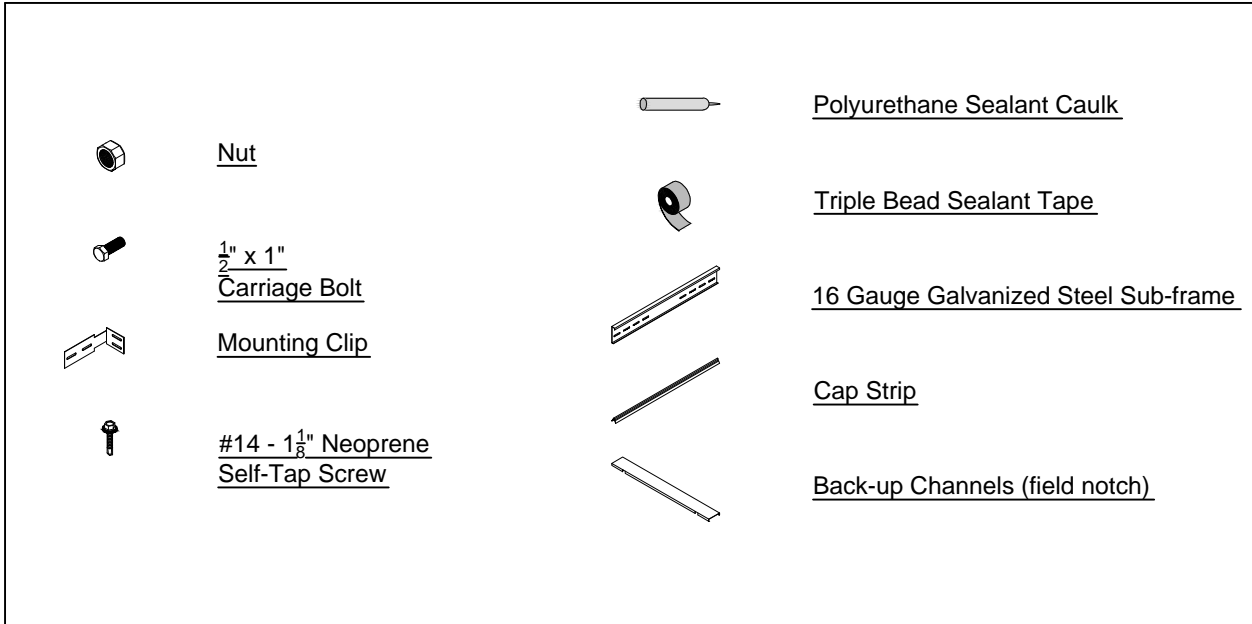


## ROOF CURB INSTALLATION INSTRUCTIONS: UNIVERSAL STANDING SEAM PANEL



### Installation Check List:

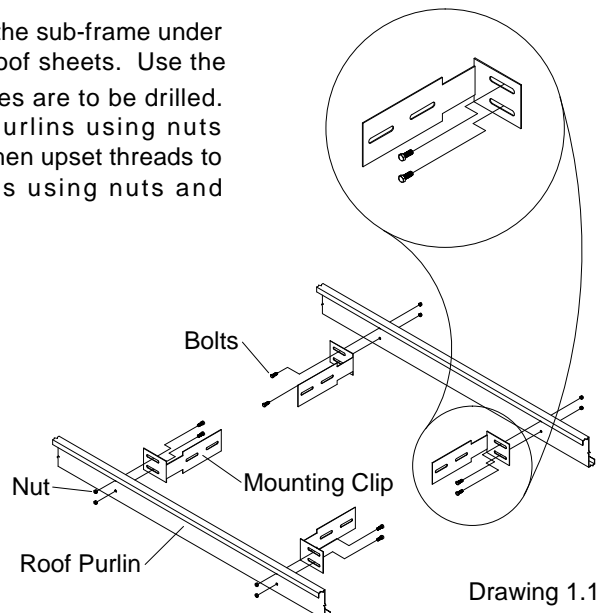
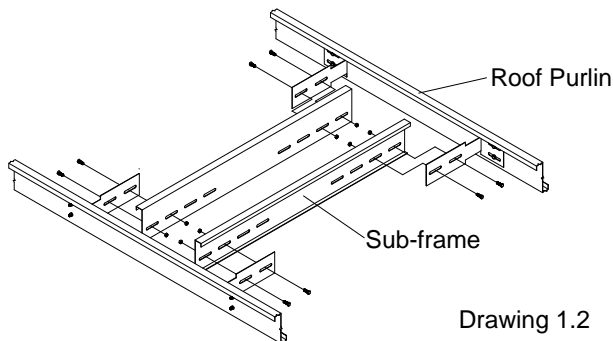
_____ Attach Sub-Frames .....	Step 1
_____ Layout Curb on Roof Panel .....	Step 2
_____ Back-up Channels .....	Step 3
_____ Apply Sealants & Set Curb in Place .....	Step 4
_____ Fasten Curb to Roof Panel .....	Step 5
_____ Attach Cap Strips .....	Step 6



### ① ATTACH SUB-FRAMES (framed opening is already installed)

Attach mounting clips to sub-frame and align at the top of the sub-frame under vertical box of roof curb and flush to the bottom side of roof sheets. Use the mounting clip as a template, mark on purlin where 1/2" holes are to be drilled. Once holes are drilled, attach mounting clips to purlins using nuts and bolts (see drawing 1.1). Finger tighten all hardware, then upset threads to secure nuts. Attach sub-frames to mounting clips using nuts and bolts (see drawing 1.2).

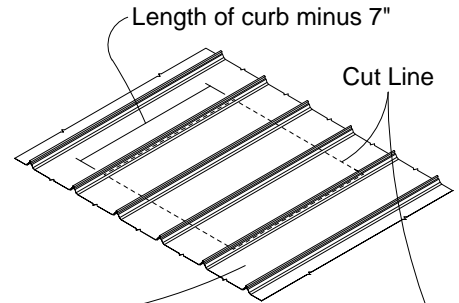
\*NOTICE\* Sub-frame max. loading is 500 lbs.



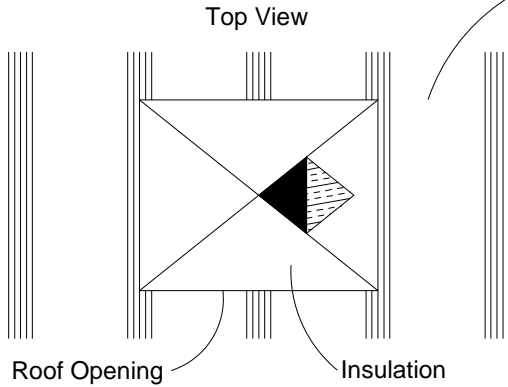
### ② LAYOUT CURB ON ROOF PANEL

Mark cut lines by setting roof curb(s) in place on roof panel (see drawing 2.1) (DO NOT USE LEAD PENCIL). Upslope cut line will be 3" less than outer edge of curb base flange (see drawing 2.2). Downslope cut line will be 4" less than outer edge of base flange (see drawing 2.2). Remove exterior panel leaving the insulation face showing (see drawing 2.3) and cleanup all metal shavings and debris.

\*NOTICE\* Sub-frames and purlins not shown in the above picture

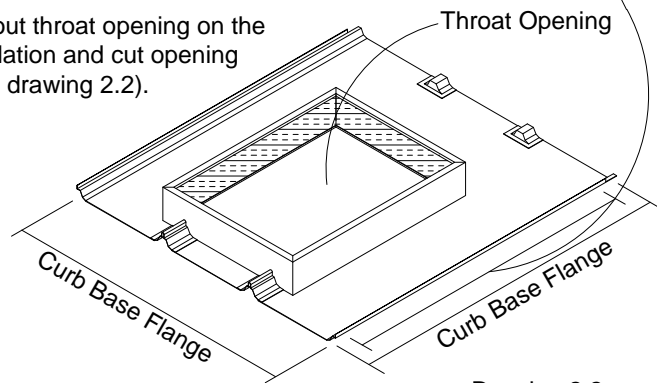


Drawing 2.1



Drawing 2.3

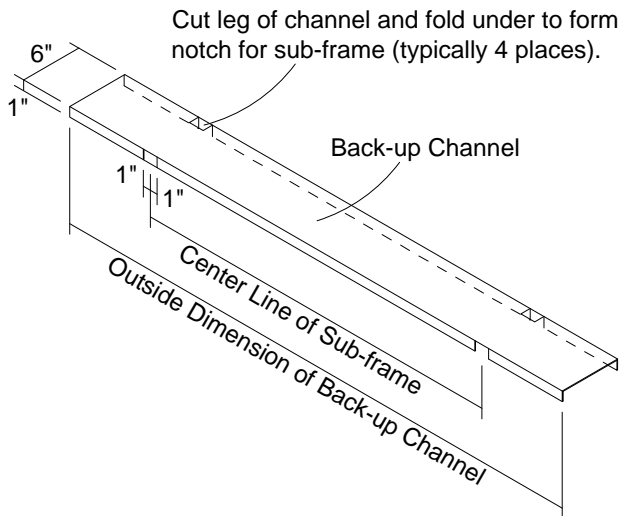
Layout throat opening on the insulation and cut opening (see drawing 2.2).



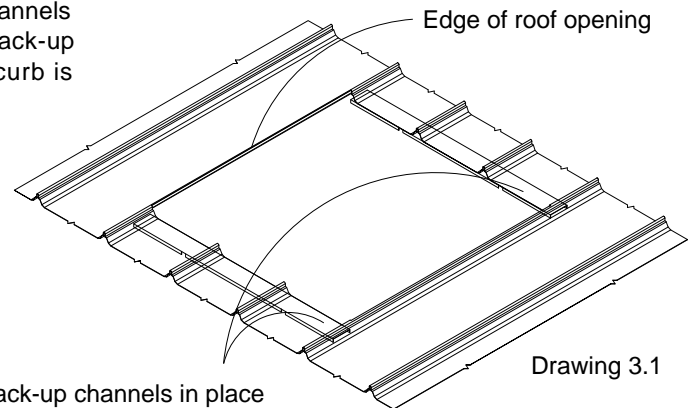
Drawing 2.2

### ③ BACK-UP CHANNELS

Notch back-up channels (see drawing). Slide back-up channels under roof panel on top of sub-frames. Do not screw back-up channels to sub-frames. They will be secured when curb is fastened down.



Back-up channels in place



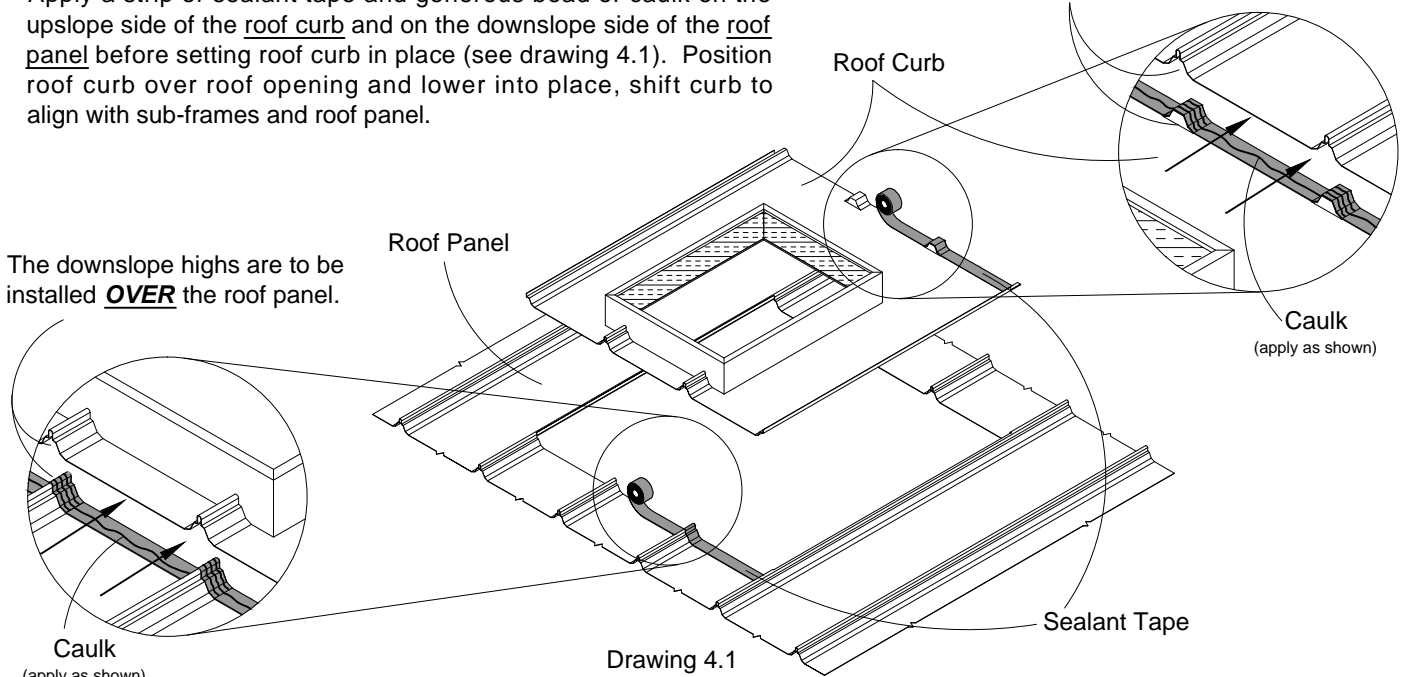
Drawing 3.1

### ④ APPLY SEALANTS & SET CURB IN PLACE

Apply a strip of sealant tape and generous bead of caulk on the upslope side of the roof curb and on the downslope side of the roof panel before setting roof curb in place (see drawing 4.1). Position roof curb over roof opening and lower into place, shift curb to align with sub-frames and roof panel.

The upslope highs are to be installed **UNDER** the roof panel.

The downslope highs are to be installed **OVER** the roof panel.



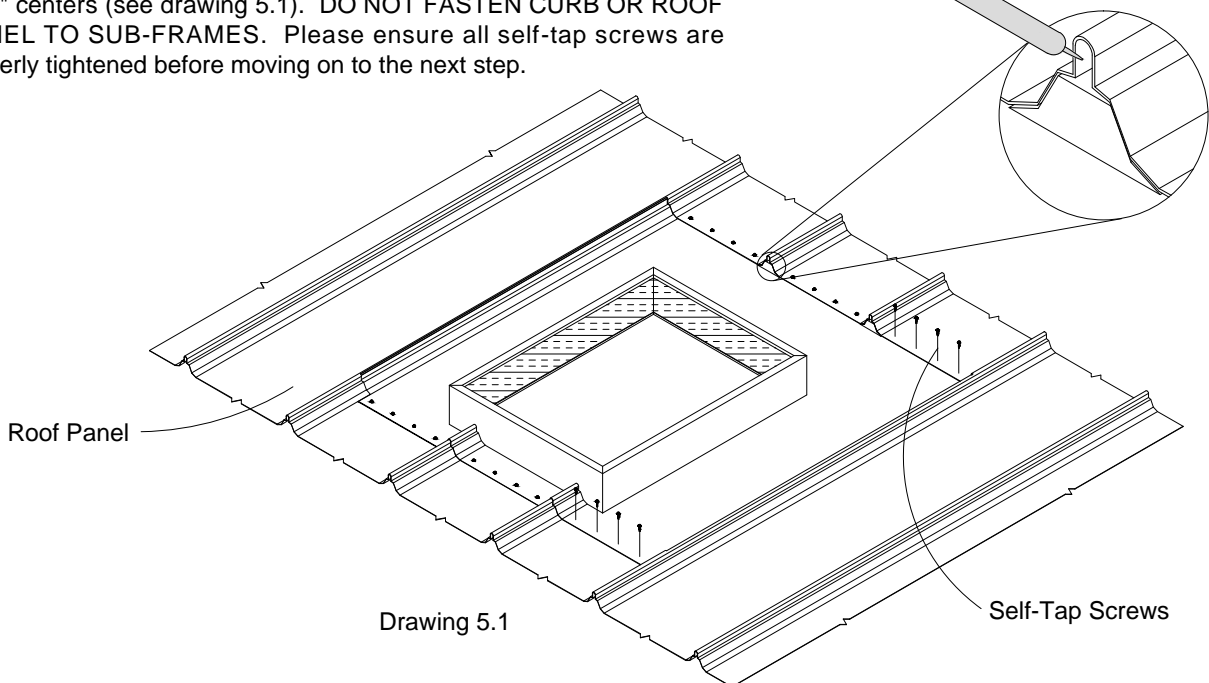
Drawing 4.1

\*NOTICE\* Sub-frames and purlins not shown in the above picture

### ⑤ FASTEN CURB TO ROOF PANEL

Fasten curb to roof panel using #14 - 1 $\frac{1}{8}$ " neoprene self-tap screws on 4" centers (see drawing 5.1). **DO NOT FASTEN CURB OR ROOF PANEL TO SUB-FRAMES.** Please ensure all self-tap screws are properly tightened before moving on to the next step.

Must fill end of standing seam with caulk.

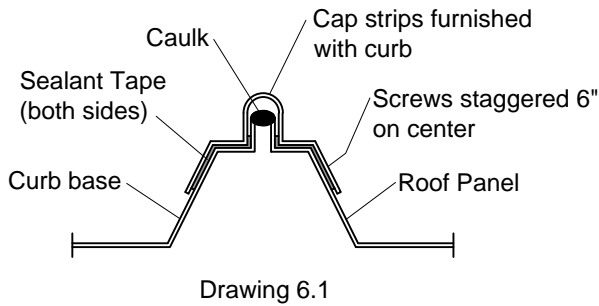
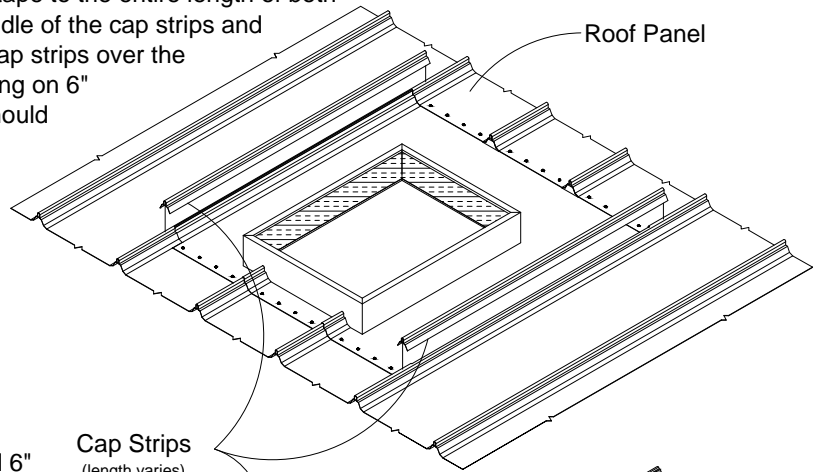


Drawing 5.1

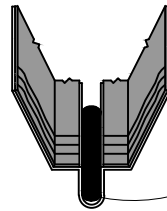
\*NOTICE\* Sub-frames and purlins not shown in the above picture

### ⑥ ATTACH CAP STRIPS

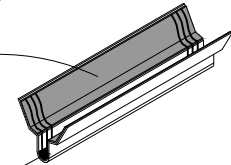
Turn the cap strips upside down and apply sealant tape to the entire length of both inside legs. Then run a bead of caulk down the middle of the cap strips and at each end of cap strip (see drawing 6.1). Install cap strips over the curb/roof panel sidelap, fasten with screws alternating on 6" centers (staggered on both sides). The cap strip should extend approximately 6" past both upslope and downslope base of roof curb.



Cap Strips  
(length varies)



Sealant Tape  
(both sides)

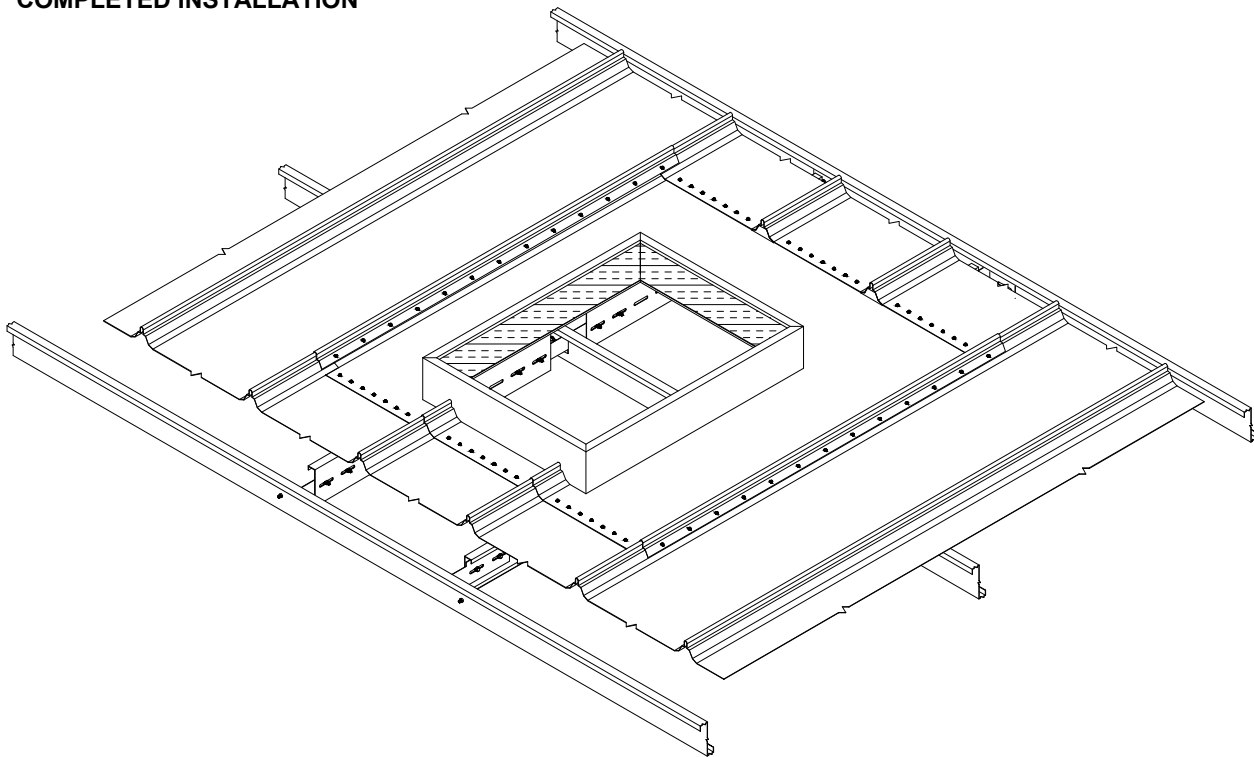


Caulk

1" between each bead of caulk at each end

\*NOTICE\* Sub-frames and purlins not shown in the above picture

### COMPLETED INSTALLATION



\*\*Clean up installation debris before leaving area