

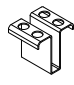


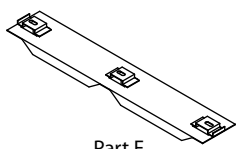


⚙️ PARTS LIST: VERTICAL PANEL (24" GRATING)

⚙️ TOOLS NEEDED

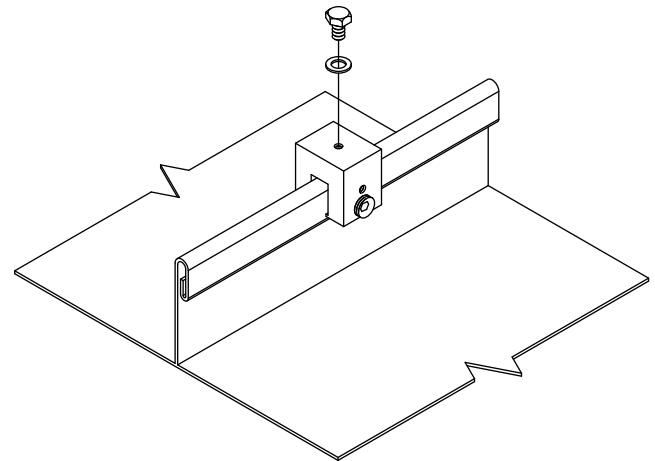
 Part A	8 mm x 2-1/4" Hex Head Cap Bolt stainless steel (G8214)	 Part D	Recessed Washer Galvanized (G714-EG)
 Part B	Hold Down Clip Galvanized (G607-PG)	 Part E	#12 - 3/4" Self-Drilling/ Self-Tapping Screws stainless steel (GHTS012075-EG)
 Part C	S-5! Mini Clamp Aluminum Available in: S-5-U Mini S-5-T Mini S-5-Z Mini	 Part F	Support Plates Galvalume (G869-PG)

- » Electric Screw Gun
- » String Line
- » Pliers or Vice Grips
- » Chop Saw
- » 8mm Drive
- » Hex Head Drive
- » Torque Wrench
- » Measuring Tape
- » Hex Bit (included)

① LAYOUT AND CLAMP ATTACHMENT

Determine the location of the grating for both parallel and perpendicular runs. Next, attach part "C" on to the panel seams. For perpendicular runs, stretch a string line across the top of the panel seams to align part "C", which is to be spaced approximately 8' apart. For parallel runs, attach part "C" approximately 5-6' apart on each side of the panel seams (see step #2).

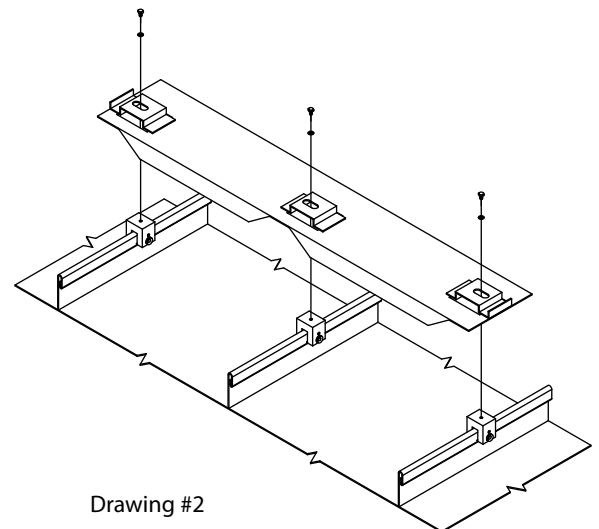
Note #1: Set screws must be torqued to 160-180 inch pounds for 22ga and 130-150 inch pounds for 24ga. with a screw gun and checked periodically during installation. Also, your panel seams may need to be crimped at the point of attachment of the S-5! clamp.



Drawing #1

② MOUNTING SUPPORT PLATES (PARALELL RUNS ONLY)

Mount part "F" on top of part "C" and secure with 8mm bolts and washers. Please ensure set screws are properly torqued before mounting part "F" (see note #1 in step 1). See drawing #2 for proper attachment.



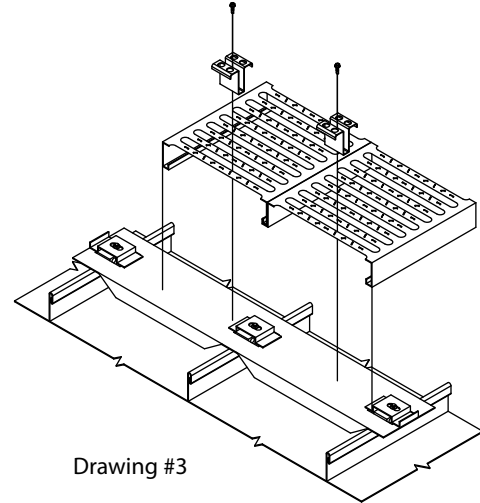
Drawing #2



③ MOUNT & FASTEN GRATING: PARALLEL

Set grating in place on top of part "F". Attach grating using parts "B" and "E". Slide part "B" through grating slots and fasten directly to part "F" using part "E" as shown in drawing #3.

Note #3: Part "B" must be installed in the center of the grating (see drawing #3).

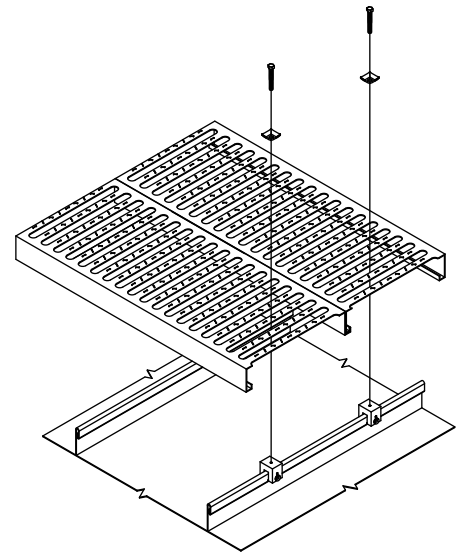


Drawing #3

④ MOUNT & FASTEN GRATING: PERPENDICULAR

Set grating in place on top of roof panel seams centered over part "C". Center part "D" on grating above part "C" and thread part "A" securely into part "C" until grating fits snug against roof panel seam, as shown in drawing #4.

Note #4: Grating may need to be shifted to line up properly with part "C".

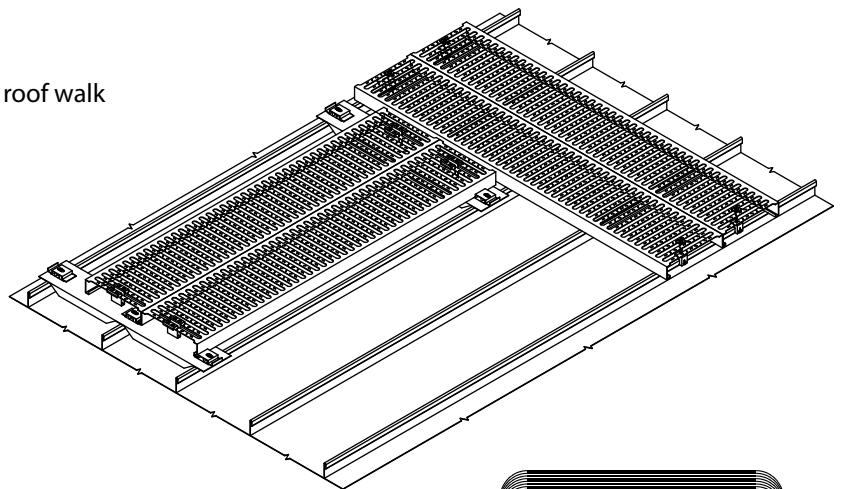


Drawing #4

⑤ FINAL ASSEMBLY

Drawing #5 illustrates both a parallel and perpendicular roof walk assembly.

Note #5: All attachment points are to be checked before completion.



Drawing #5

WARNING!

ALWAYS USE FALL PROTECTION WHILE WORKING AROUND ROOF OPENINGS.